



10641 Highway 36
Covington, GA
30014

www.sunbeltbuilders.com

t 770.786.3031
f 770.786.3046

Senior Services Enrichment Center

Mechanical Repair Services

P.O. Box 883

Watkinsville, GA 30677

ph: 706-546-5003

Eddie Powell

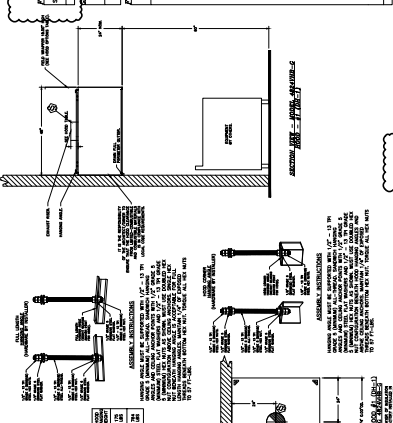
mechanicalrepairserviceinc@gmail.com

23-0000 HVAC As-built

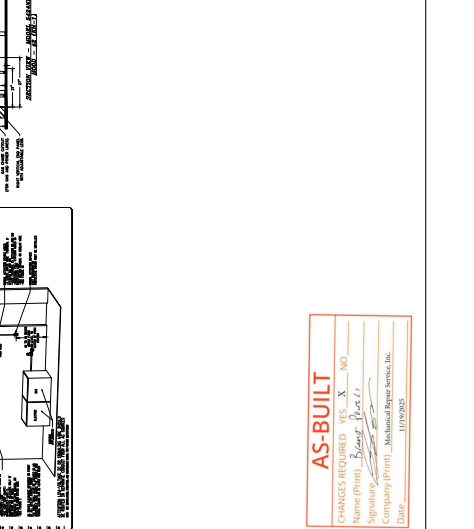
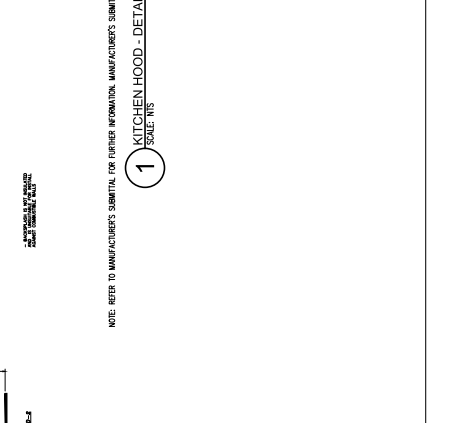
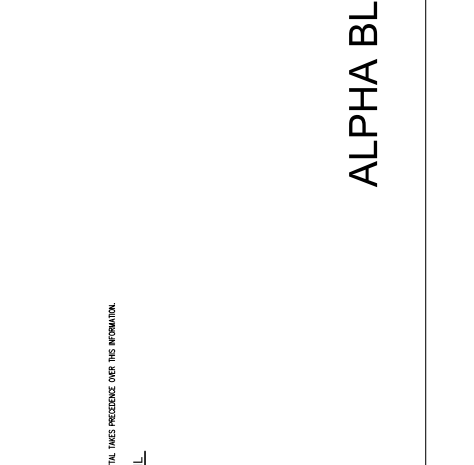
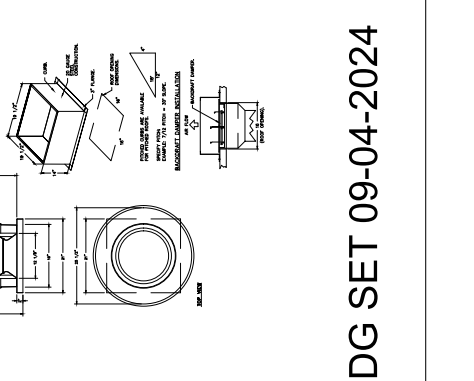
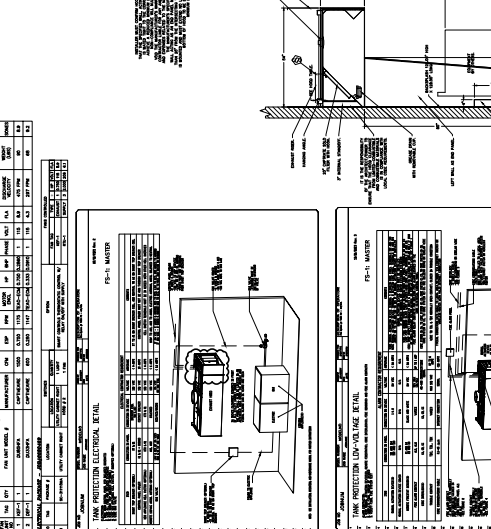
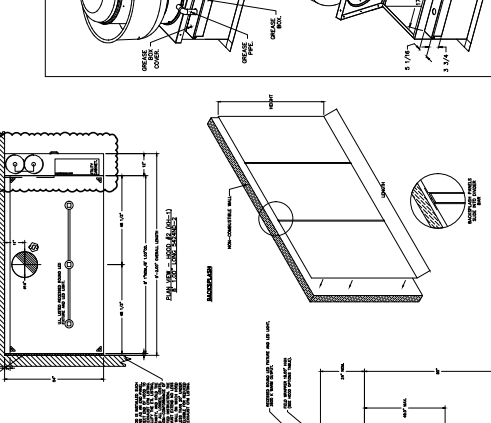
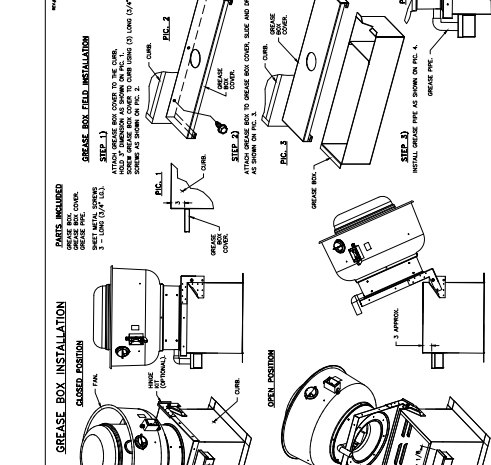
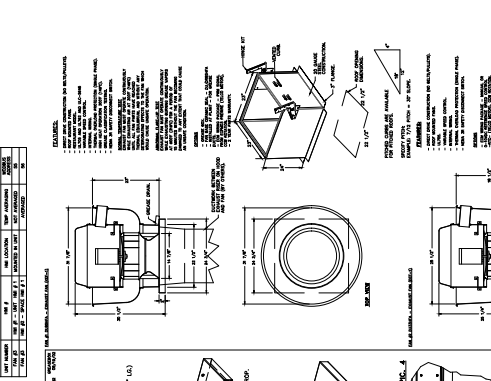
ALPHA BLDG SET 09-04-2024

NO.	DATE	DESCRIPTION
1	03/25/24	ISSUE FOR PERMIT
2	03/25/24	ISSUE FOR PERMIT
3	03/25/24	ISSUE FOR PERMIT
4	03/25/24	ISSUE FOR PERMIT
5	03/25/24	ISSUE FOR PERMIT
6	03/25/24	ISSUE FOR PERMIT
7	03/25/24	ISSUE FOR PERMIT
8	03/25/24	ISSUE FOR PERMIT

NO.	DATE	DESCRIPTION
1	03/25/24	ISSUE FOR PERMIT
2	03/25/24	ISSUE FOR PERMIT
3	03/25/24	ISSUE FOR PERMIT
4	03/25/24	ISSUE FOR PERMIT
5	03/25/24	ISSUE FOR PERMIT
6	03/25/24	ISSUE FOR PERMIT
7	03/25/24	ISSUE FOR PERMIT
8	03/25/24	ISSUE FOR PERMIT



NO.	DATE	DESCRIPTION
1	03/25/24	ISSUE FOR PERMIT
2	03/25/24	ISSUE FOR PERMIT
3	03/25/24	ISSUE FOR PERMIT
4	03/25/24	ISSUE FOR PERMIT
5	03/25/24	ISSUE FOR PERMIT
6	03/25/24	ISSUE FOR PERMIT
7	03/25/24	ISSUE FOR PERMIT
8	03/25/24	ISSUE FOR PERMIT



NOTE: REFER TO MANUFACTURER'S SUBMITTAL FOR FURTHER INFORMATION. MANUFACTURER'S SUBMITTAL TAKES PRECEDENCE OVER THIS INFORMATION.

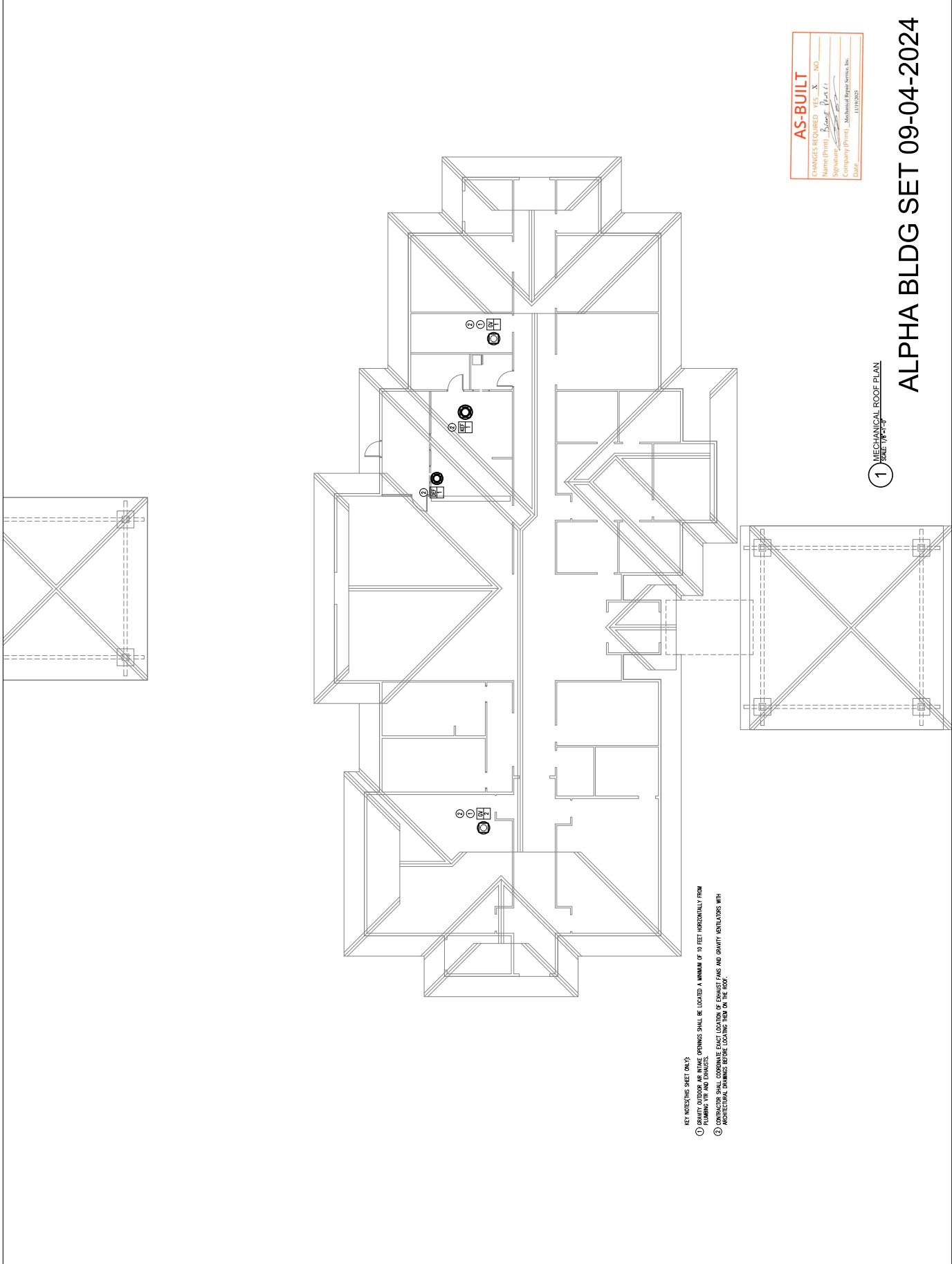
1 KITCHEN HOOD - DETAIL
SCALE: 1/8" = 1'-0"

AS-BUILT
CHANGES REQUIRED: YES, X NO
Name (Print): *James P. ...*
Signature: *James P. ...*
Company (Print): Mechanical Bryan Series, Inc.
Date: 11/19/2023

DRAWN BY:	GM
CHECKED BY:	GM
DESCRIPTION:	SCHEMATIC
DATE:	03.11.24
DESCRIPTION:	DOOR REVIEW
DATE:	03.11.24
DESCRIPTION:	REV
DATE:	03.25.24
DESCRIPTION:	REV & CONSTRUCTION
DATE:	04.04.2024
REVISIONS:	

1	CHANGES REQUIRED	YES	X	NO
2	Name (Print)			
3	Signature			
4	Company (Print)	Mechanical Repair Service, Inc.		
5	Date	11/19/2023		

THIS DOCUMENT IS THE PROPERTY OF ARCHITECT GM. IT IS TO BE USED ONLY FOR THE PROJECT AND SITE SPECIFICALLY IDENTIFIED HEREON. ANY REUSE OR REPRODUCTION WITHOUT THE WRITTEN PERMISSION OF ARCHITECT GM IS PROHIBITED. © 2024



KEY WORKING SHEET ONLY:

- ① GRAVITY OUTSIDE AIR INTAKE GROUNDS SHALL BE LOCATED A MINIMUM OF 10 FEET HORIZONTALLY FROM PLUMBING VENTS AND EXHAUSTS.
- ② CONTRACTOR SHALL COORDINATE EXACT LOCATION OF EXHAUST FANS AND GRAVITY VENTILATORS WITH ARCHITECTURAL DRAWINGS BEFORE LOCATING THEM ON THE ROOF.

AS-BUILT

CHANGES REQUIRED YES X NO
Name (Print) _____
Signature _____
Company (Print) Mechanical Repair Service, Inc.
Date 11/19/2023

① MECHANICAL ROOF PLAN
NEW FACILITY

ALPHA BLDG SET 09-04-2024