



10641 Highway 36
Covington, GA
30014

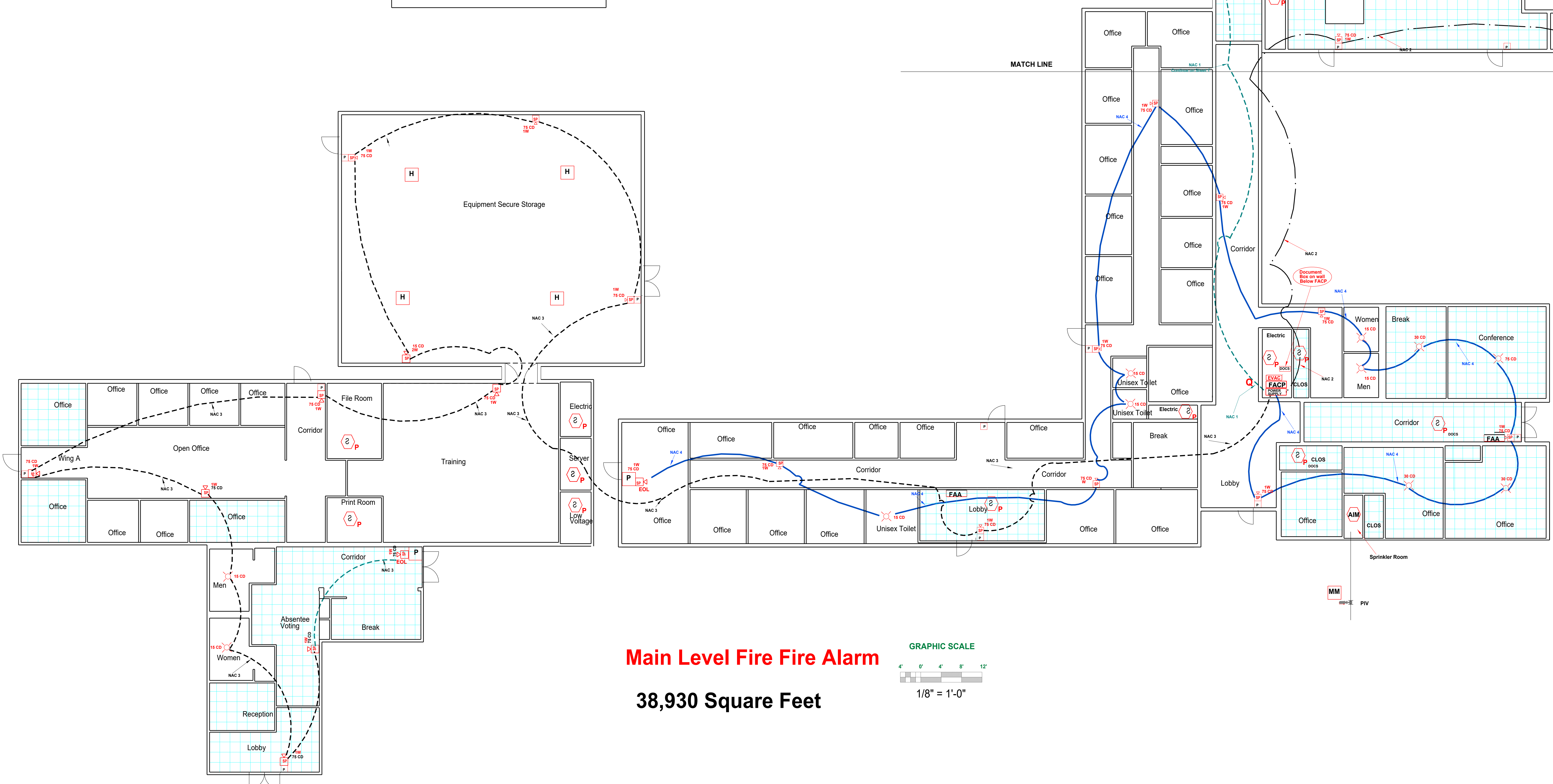
www.sunbeltbuilders.com

t 770.786.3031
f 770.786.3046

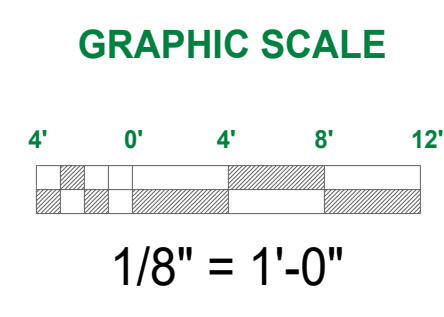
Newton County – R.L. Cousins Center

FireAway
636 Moore Street
Oxford, GA 30054
ph: 770-918-0527
Paul Green, Jr.
paul@atlantafiresprinklers.com

21-1313 Fire Alarm As-built



Main Level Fire Alarm
38,930 Square Feet



AS BUILT

FIRTRONICS, LLC.
 636 Moore St., Oxford, Georgia 30054
 770-918-0527 - Designer Email - paul@firtronicsllc.com

REVISIONS:

1	
2	
3	

RL COUSINS - FIRE ALARM
 8131 Geiger St., NW
 Covington, GA

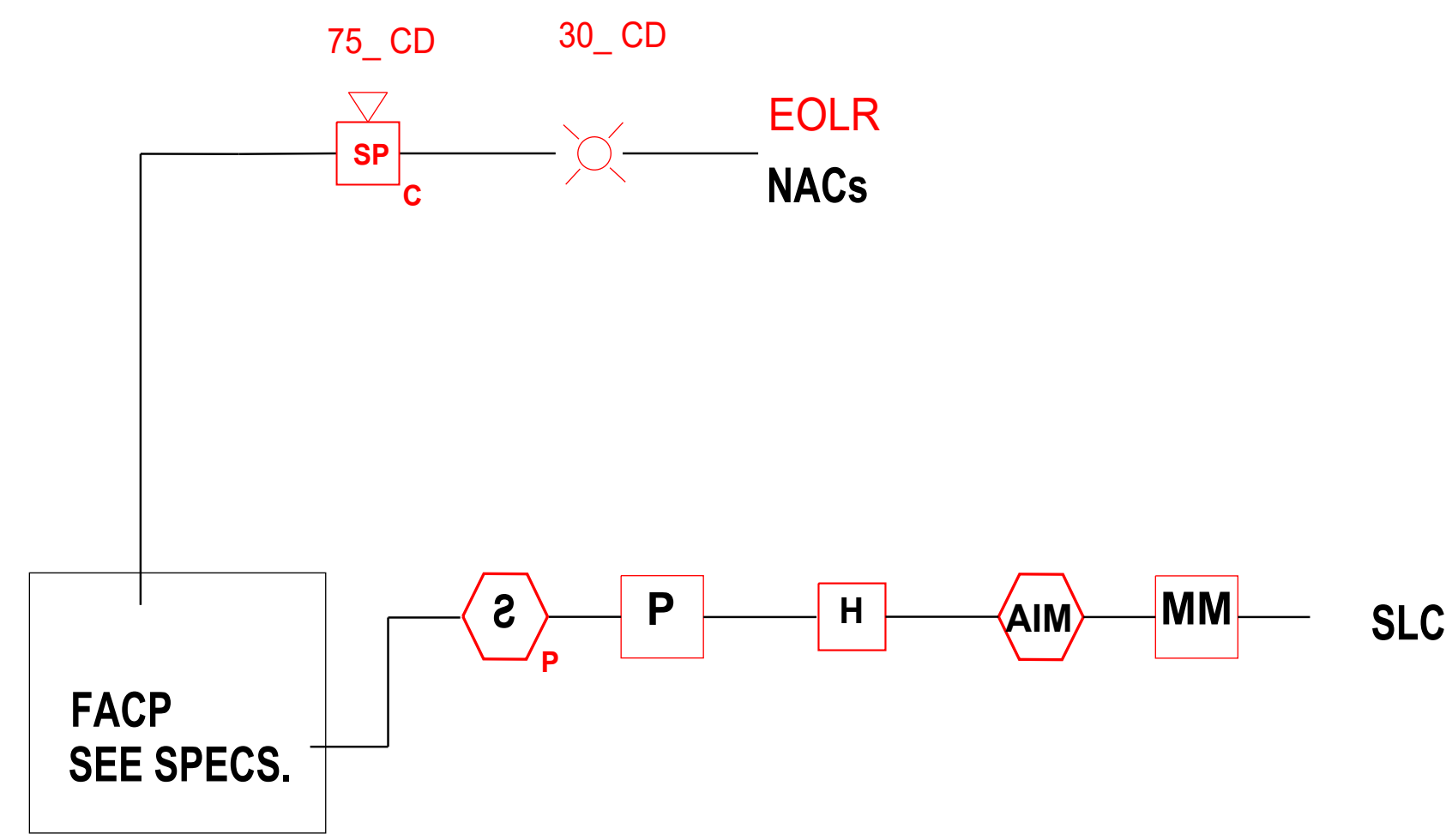
FIRE SPRINKLER PLAN, NOTES, & DETAILS

JOB NAME: _____
 DRAWN BY: **Paul Green**
 NICET IV - Water-Based
 Systems Layout
 DATE: **11/25/24**
 SHEET NO: **1**

Paul Brian Green

	Activate Common Alarm Signal Indicator	Signal Alarm Signal to Control Station	Activate Common Trouble Signal	Signal Trouble Signal to Control Station	Activate Device Address Alarm Indicator	Signal Device Address Alarm Indicator	Activate End Condition Indicator (by Owner)
Pull Station at Doors	X	X					
Smoke Detectors	X	X	X	X			
Heat Detectors	X	X			X	X	
Duct Detectors	X	X			X	X	X
Flow Switch	X	X			X	X	
A/C Failure			X	X			
Open Circuit			X	X			
Ground Fault			X	X			
Short Circuit in SLC Circuit			X	X			
Short Circuit in NAC Circuit			X	X			
Tamper Switch			X	X			
Battery Failure			X	X			

FIRE ALARM MATRIX



BUILDING FIRE ALARM RISER DIAGRAM

N.T.S.

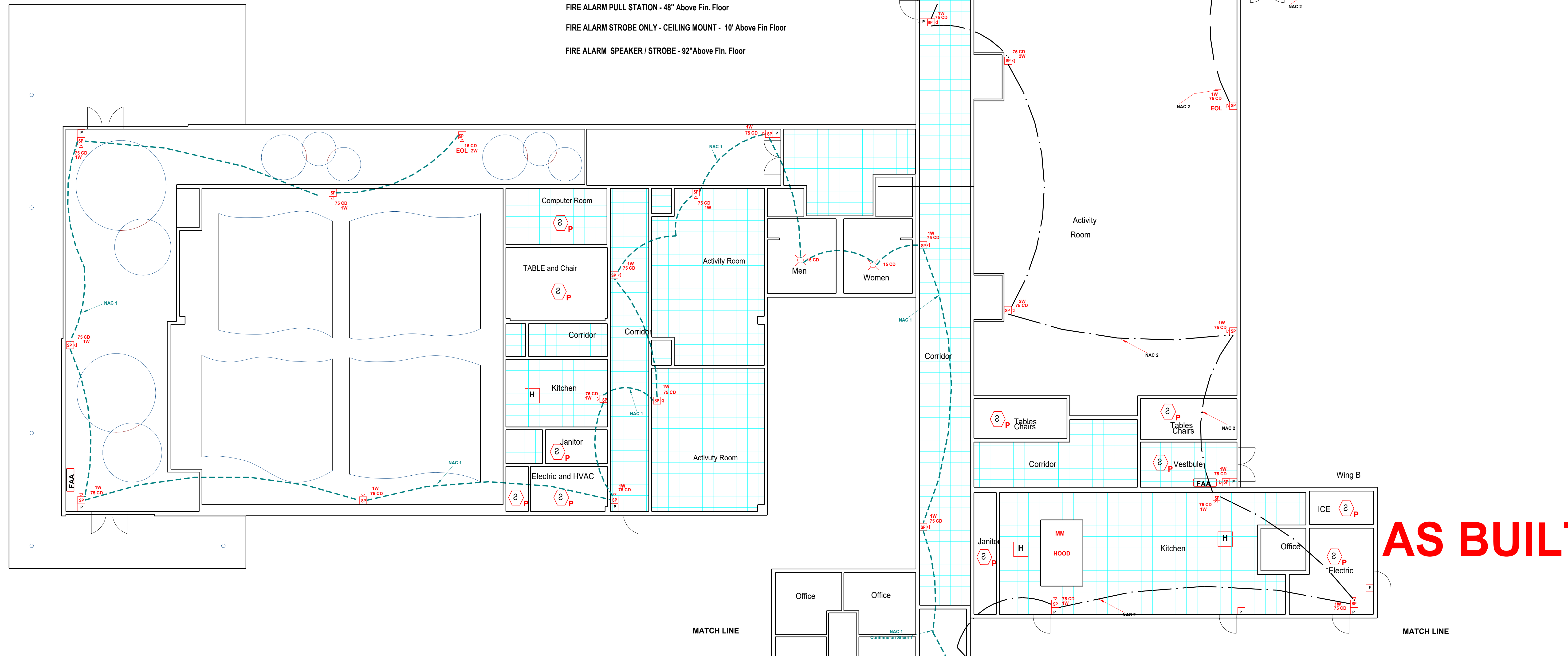
WIRING NOTES

1. ALL WIRE RUNS SHALL BE CONTINUOUS WITH NO SPLICES BETWEEN DEVICES AND PANEL TERMINATIONS.
2. ALL DEVICES, PANELS ETC. SHALL BE INSTALLED PLUMB AND LEVEL. ALL CONDUITS SHALL BE PLUMB AND LEVEL.
3. REFER TO SPECIFICATIONS FOR INSTALLATION AND SCOPE REQUIREMENTS. NO DEVIATIONS TO THE SPECIFICATIONS ARE ALLOWED.
4. ALL CIRCUITS SHALL BE LABELED AND IDENTIFIED. CHECK CIRCUITS FOR SHORTS, GROUNDS AND OPENS. VERIFY ALL EOL (END OF LINE) RESISTORS ARE READ WITH A VOM FOR PROPER VALUES.

Quantity	Symbol	DESCRIPTION
1	FACP	FIRE ALARM SYSTEM CONTROL PANEL
1	EVAC	FIRE ALARM EVAC PANEL
1	P.S.	PS10 Power Supply
24	SP	SMOKE DETECTOR
7	H	HEAT DETECTOR
25	P	FIRE ALARM PULL STATION - 48" Above Fin. Floor
49	SP	FIRE ALARM SPEAKER / STROBE - CEILING MOUNT
1	MM	Single Input Monitor Module - MDF-300 10 allocated for Duct Detectors
1	AIM	Dual Input Monitor Module - MDF-300 Tamper Switch Flow Switch
4	EOL	End of line Device - Resistor
22	SP	FIRE ALARM Strobe Only
5	FAA	ANNUNCIATOR

DEVICE MOUNTING HEIGHTS

- FIRE ALARM PULL STATION - 48" Above Fin. Floor
- FIRE ALARM STROBE ONLY - CEILING MOUNT - 10' Above Fin Floor
- FIRE ALARM SPEAKER / STROBE - 92" Above Fin. Floor



AS BUILT

FIRETRONICS LLC.

636 Moore St., Oxford, Georgia 30054
770-918-0527 - Designer Email - paul@firetronicsllc.com

REVISIONS:

RL COUSINS - FIRE ALARM
8131 Geiger St., NW
Covington, GA

FIRE SPRINKLER PLAN, NOTES, & DETAILS

DRAWN BY: Paul Green
NICET IV - Water-Based Systems Layout
DATE: 11/25/24
SHEET NO: 2

Paul Brian Green