



10641 Highway 36
Covington, GA
30014

www.sunbeltbuilders.com

t 770.786.3031
f 770.786.3046

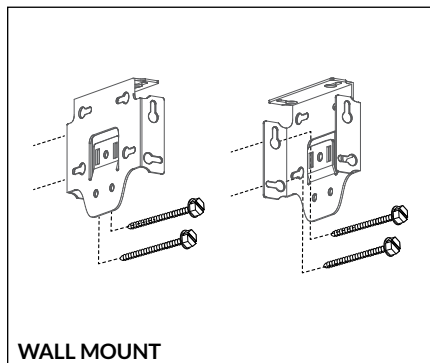
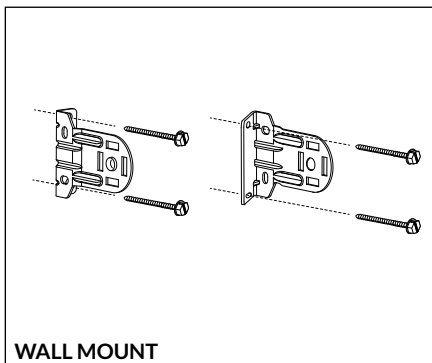
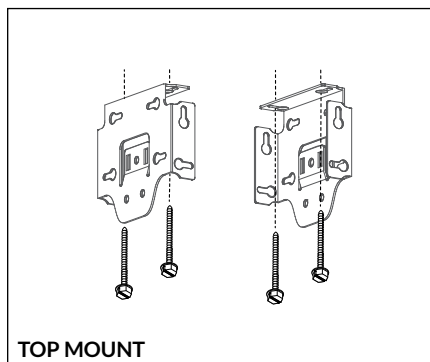
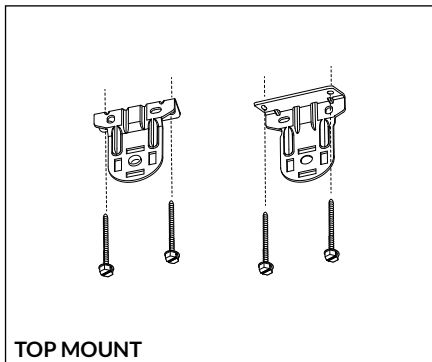
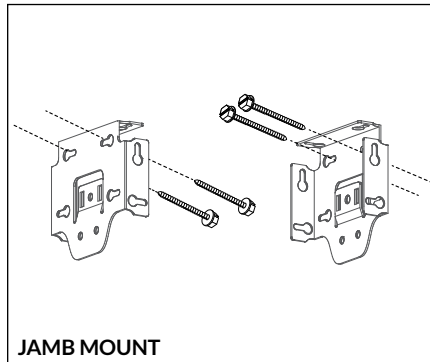
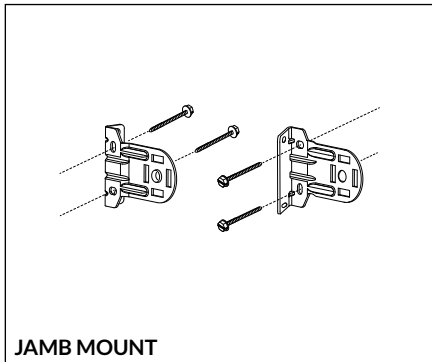
Newton County – R.L. Cousins Center

Alliance Commercial Window Treatment
100 Petty Road
Suite A-1
Lawrenceville, GA 30043
ph: 770-277-0858
David Seckinger
daves@acwtinc.com

12-2400 Shades O&M

NO FASCIA BRACKET

FASCIA BRACKET



Install Brackets

1. Use a minimum of 2 fasteners suitable for the mounting surface per bracket.
2. Mount control and idle brackets.

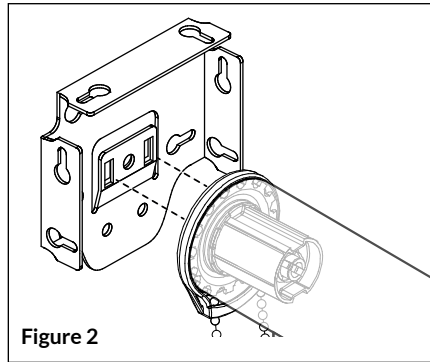
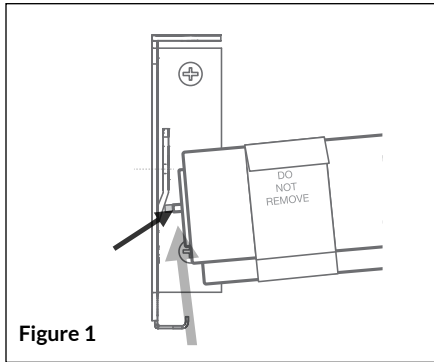
NOTE:

Make sure that the screw heads clear the clutch or motor.

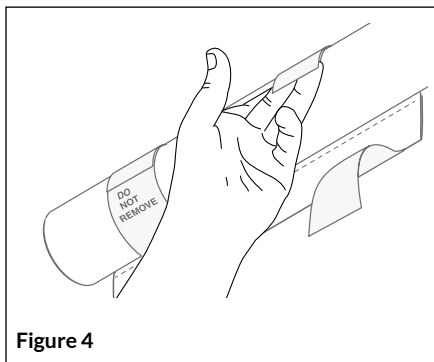
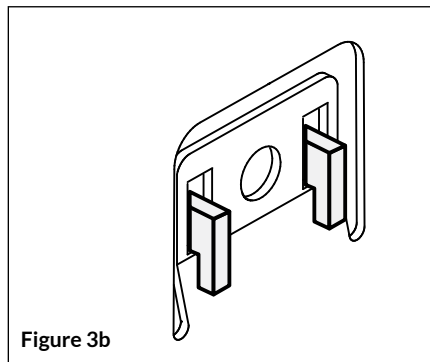
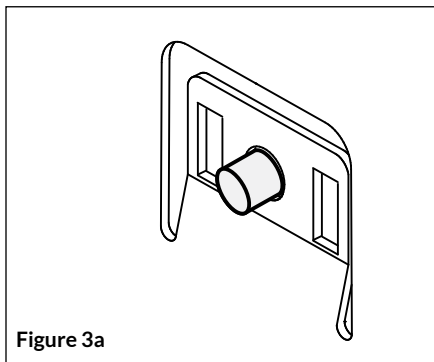
The open end of each bracket faces downward, as shown in the drawing.

Heavier shades may require more fasteners.

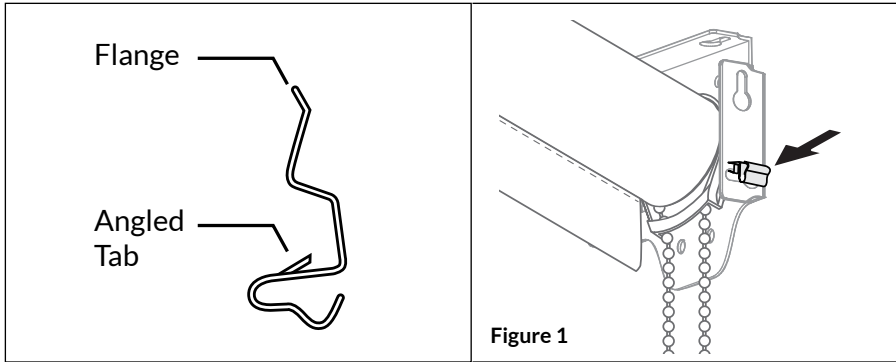
4" FASCIA SHADE INSTALLATION



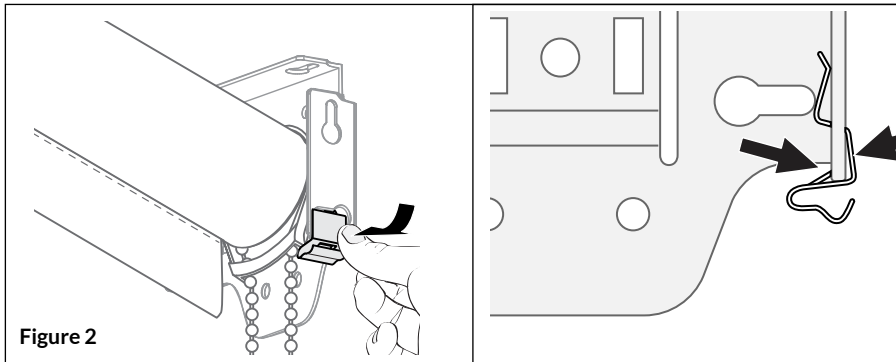
1. Place the idle end pin into the center hole in the idle bracket. (Figure 1)
2. Compress the idle end spring and align and hook the clutch or motor into the drive end bracket. (Figure 2)
3. Check that idle pin and clutch hooks are fully seated in each bracket. (Figures 3a and 3b)
4. Remove paper bands by hand. Do not cut off paper bands. (Figure 4)



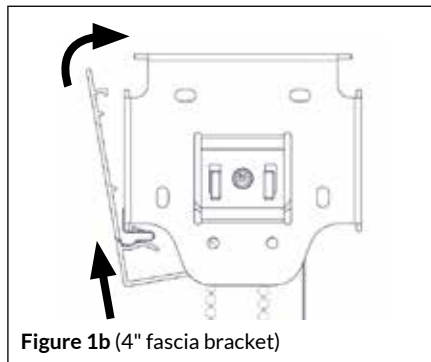
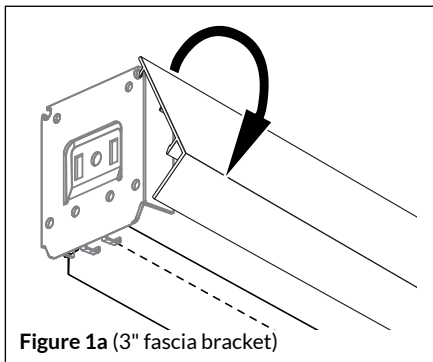
4" FASCIA CLIP INSTALLATION



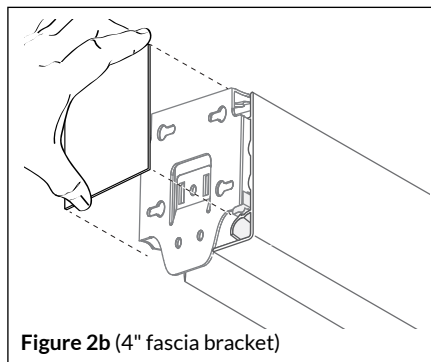
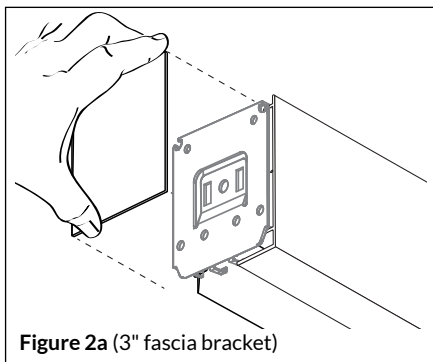
1. Insert the 4" fascia clip through the bottom slot on the face of the bracket. (Figure 1)
2. Press firmly on the clip until the bracket is seated behind the angled tab. (Figure 2)



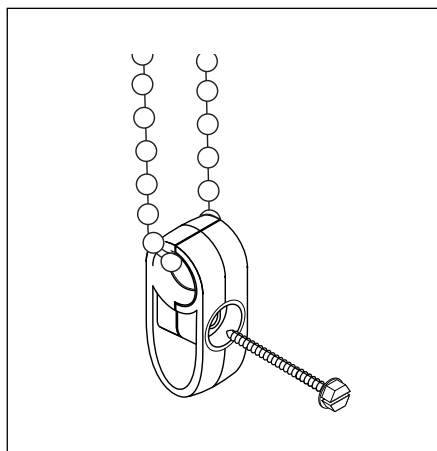
3" AND 4" FASCIA INSTALLATION



1. For 3" fascia, hook the fascia to the top of the bracket and gently press at the bottom until the fascia fully snaps onto the bracket. (Figure 1)
2. For 4" fascia, place the fascia trough onto the bottom of the spring clip, push upward to compress the spring clip and snap the top of the fascia over the bracket (Figure 1b)
3. Attach fascia bracket cover. Prepare bracket by cleaning debris and dust. Remove adhesive backing from bracket cover and attach to bracket. (Figures 2a and 2b)

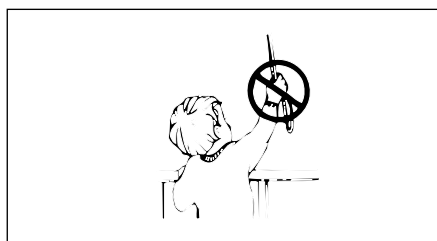


CHAIN GUIDE INSTALLATION



IMPORTANT: Chain guide must be installed for proper shade operation.

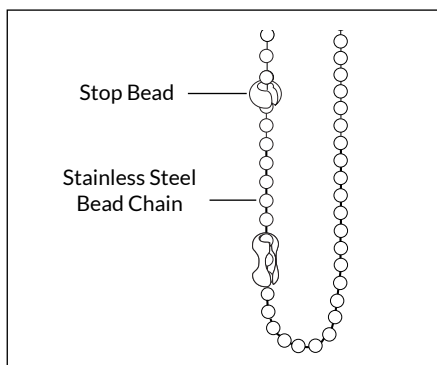
1. Unwrap control chain loop and determine a mounting location for the guide on the wall or jamb.
2. With the control chain loop under minimal tension, compress the guide and install screw.



WARNING:

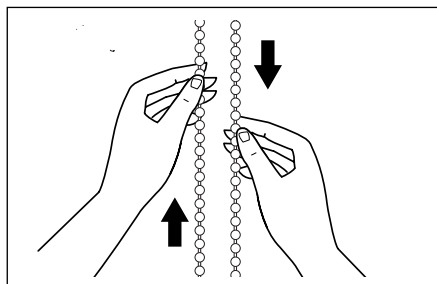
The chain guide reduces the hazards of strangulation and entanglement of young children by limiting access to the control chain.

SET UPPER/LOWER LIMITS



1. Roll shade to lower limit position.
2. Attach stop bead next to the clutch on the front of the chain of a regular roll shade or the back of the chain of a reverse roll shade.
3. Raise the shade to its upper limit position, and attach the stop bead next to the clutch on the back of the chain of a regular roll shade or the front of the chain of a reverse roll shade.

OPERATION



Right Hand Side Clutch

Pull chain in front to raise shade; pull chain in back to lower shade. The opposite is true for reverse roll shades.

Left Hand Side Clutch

Pull chain in back to raise shade; pull chain in front to lower shade. The opposite is true for reverse roll shades.

Shade Cloth Cleaning and Disinfecting Guidelines



1 Dust

Using an electrostatic duster with a soft, disposable head or the brush attachment of a vacuum.

2 Clean

Using mild soap and water, clean gently with a sponge or soft cloth.

3 Dry

Using a clean, soft cloth or duster.

4 Disinfect

Using a product that has Hydrogen Peroxide as the active ingredient. Be sure to follow the instructions on the product's label to ensure effective use of the product.

Hydrogen Peroxide meets the EPA's criteria for use against SARS-CoV-2, the virus that causes COVID-19.

For alternate, approved shade cloth disinfecting options, refer to the [Shade Cloth Disinfecting Information](#) sheet.

NOTE: Using non-approved or abrasive cleaning agents or methods, may result in damage to the shade. Damage caused by the use of non-approved cleaning agents or methods not listed in this document are not covered under the SWFcontract warranty. Please contact your customer service team member with any questions.

Cleaning and Disinfecting Tips

- Wear gloves and make sure there is good ventilation during disinfecting
- Follow the contact time for disinfecting to ensure the product is effective
- Dust, clean, and dry in a single direction
- Avoid steam cleaning as it may melt the PVC or distort the stability of the shade
- Avoid cleaning in bright, hot sunlight to prevent soap spotting

Antibacterial and Antifungal Shade Cloth

Antibacterials and antifungals inhibit or slow the spread of microorganisms like bacteria and fungi such as mold and mildew.

Our shade cloths contain low amounts of added antimicrobials. The antimicrobial chemicals are encapsulated within the PVC yarn jacket, to reduce the risk of leaching.

ASTM E2180

The method focuses primarily on assessing antibacterial activity.

Passing Shade Cloth:

Aspect

Compass

Conceal

Crosshatch R & S

Double-Take

Factor

Latitude

Parallel

Summit

Zenith

ASTM G21

This practice covers determination of the effect of fungi on the properties of materials such as shade cloth.

Passing Shade Cloth:

Aspect

Compass

Conceal

Crosshatch A, R & S

Double-Take

Factor

Latitude

Parallel

Summit

Zenith