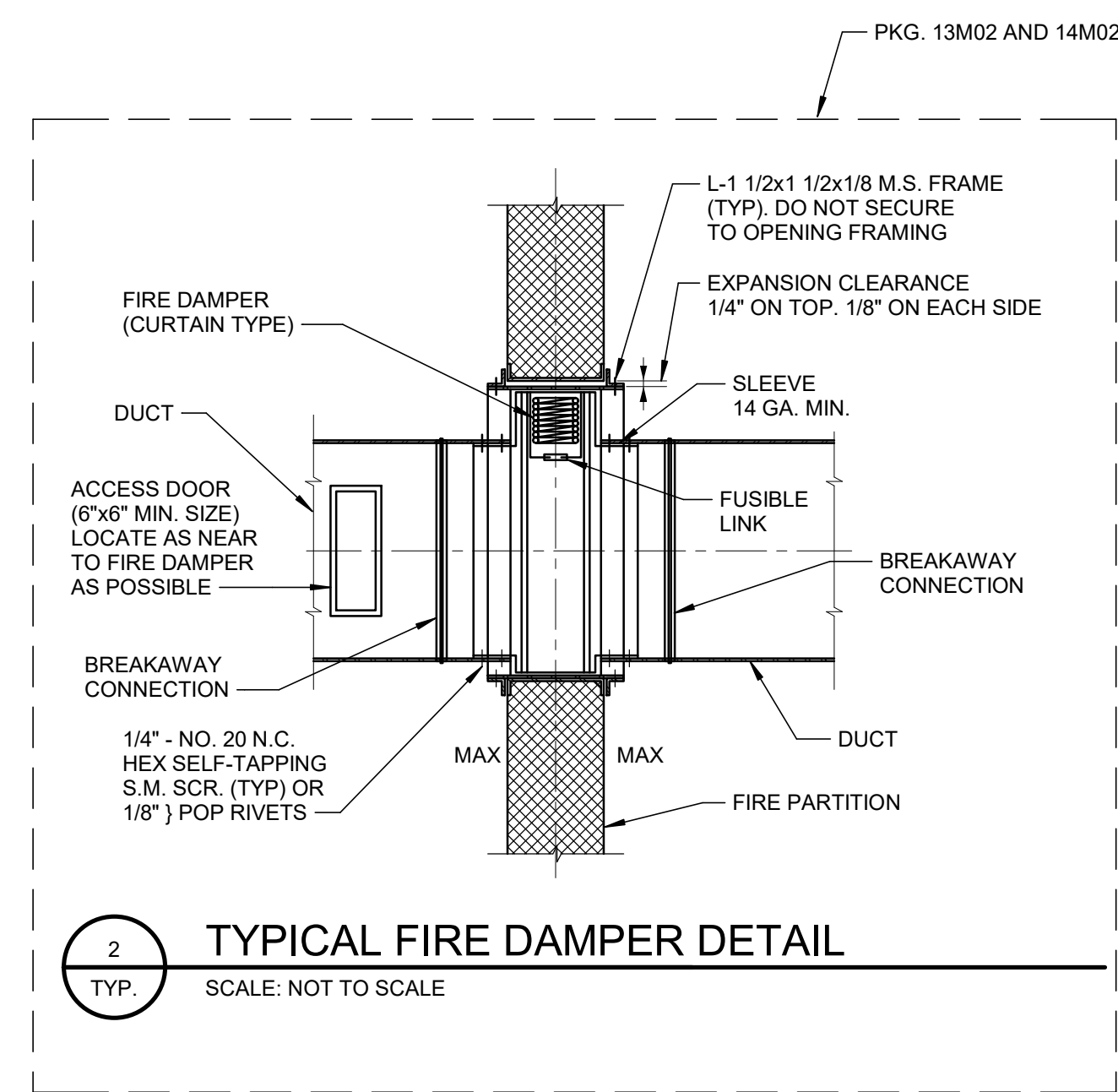
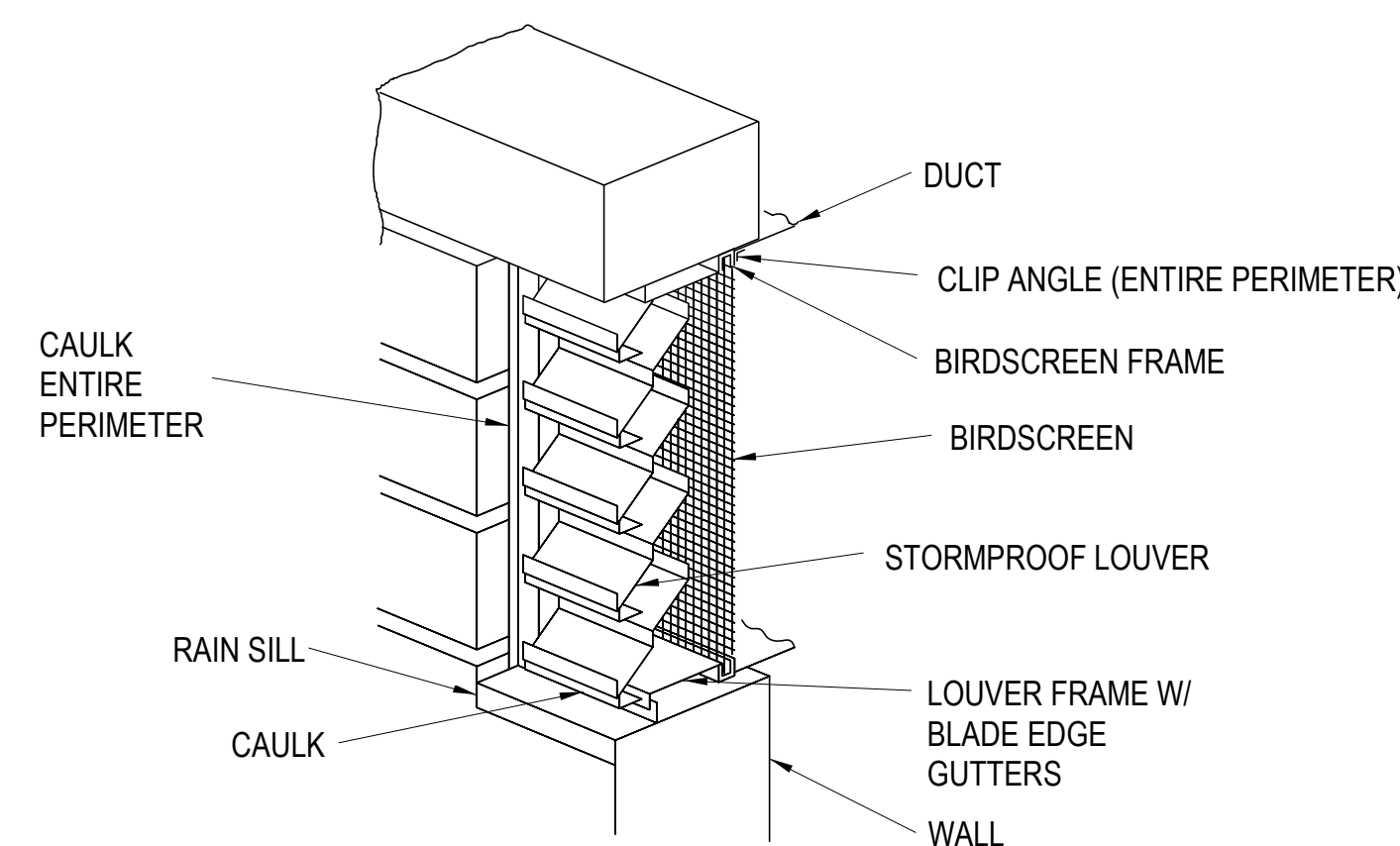


NOTE:
 PROVIDE REMOTE OPERATED DAMPERS WHERE ACCESS IS NOT POSSIBLE. PROVIDE METROPOLITAN AIR TECHNOLOGY MANUFACTURED RT-200 MODEL ROTO TWIST CABLE OPERATED OPTION OR APPROVED EQUAL. PROVIDE REQUIRED CABLE TERMINATION FIXTURE

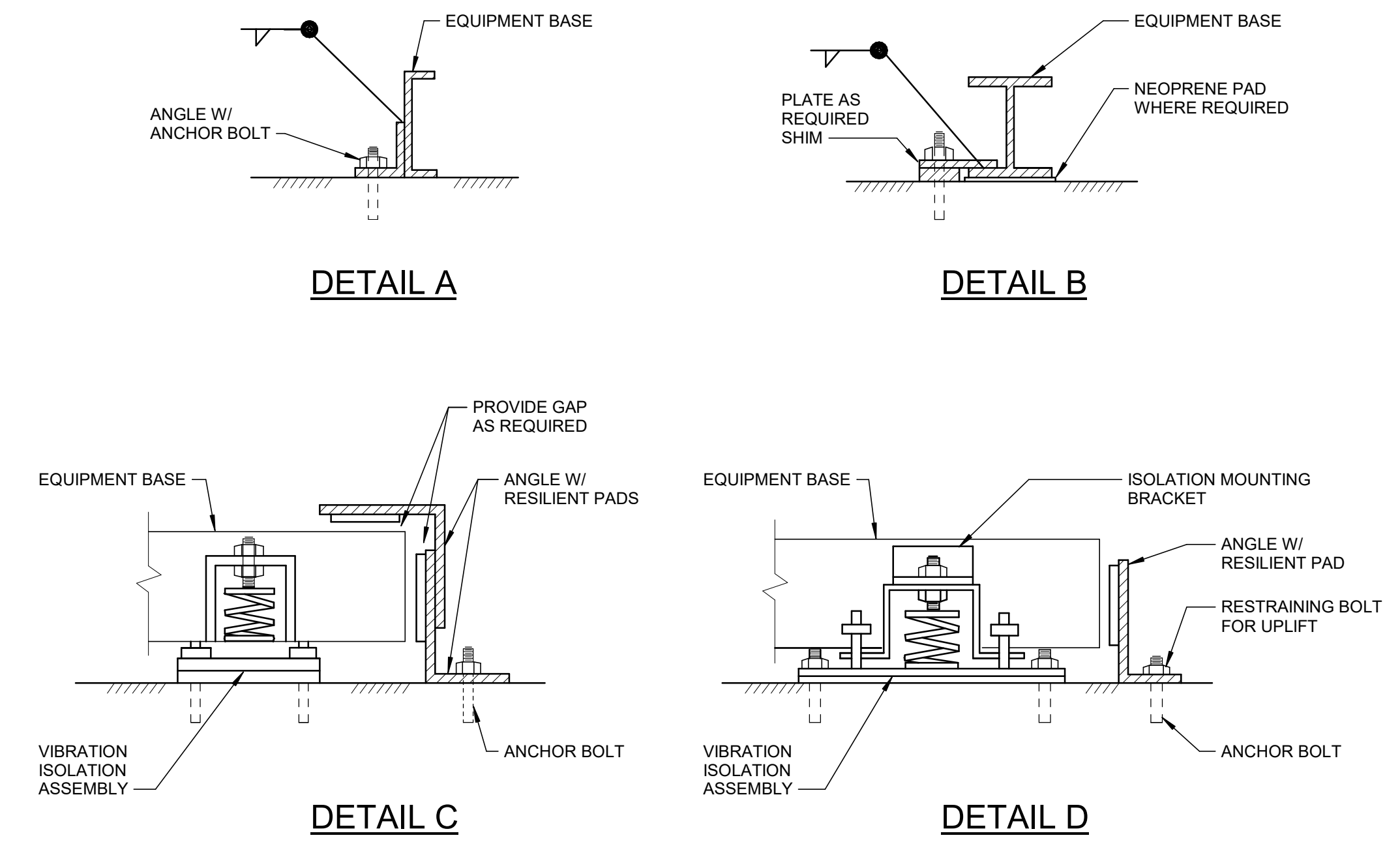
1 VOLUME DAMPER DETAIL
 TYP. SCALE: NOT TO SCALE



2 TYPICAL FIRE DAMPER DETAIL
 TYP. SCALE: NOT TO SCALE

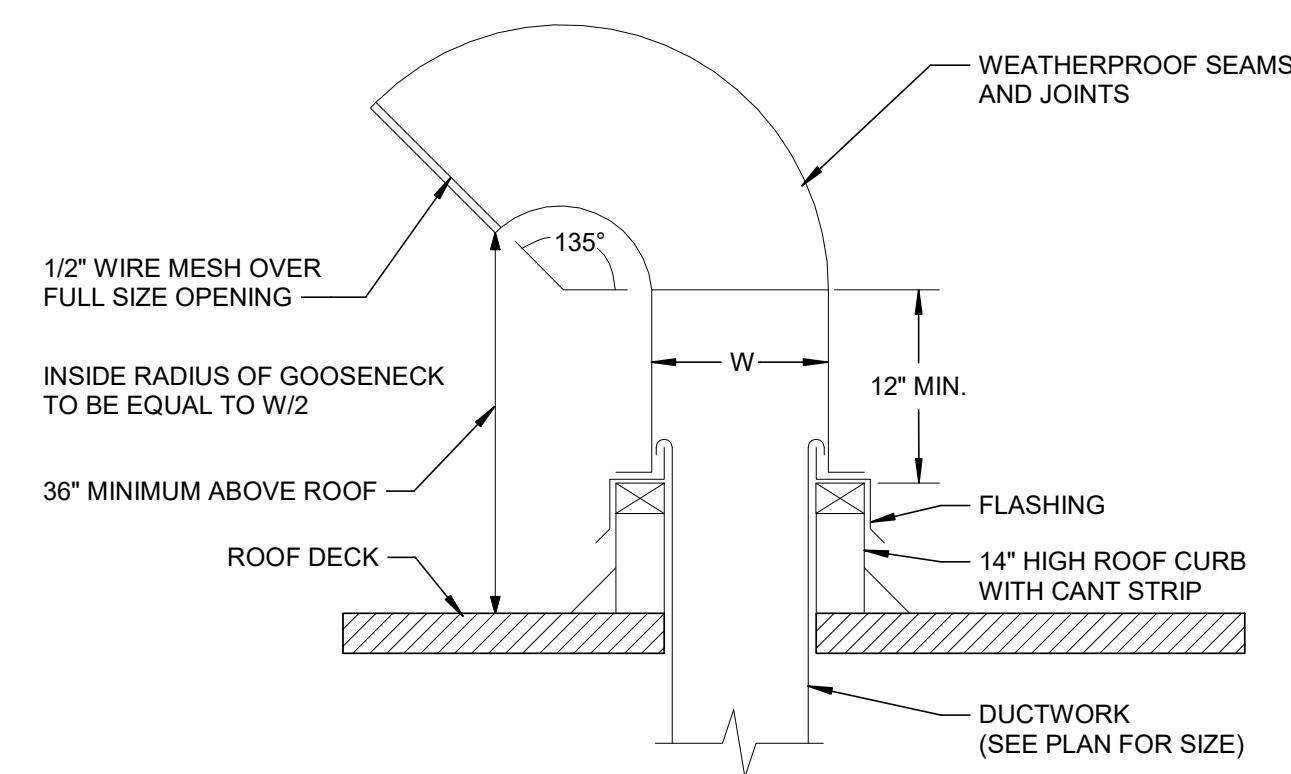


3 TYPICAL OUTSIDE AIR LOUVER DETAIL
 TYP. SCALE: NOT TO SCALE



NOTE: SEE STRUCTURAL DRAWINGS FOR HVAC EQUIPMENT MOUNTING DETAILS AND ANY RELATED INFORMATION

4 RESTRAINT FOR LATERAL & VERTICAL LOADS
 TYP. SCALE: NOT TO SCALE



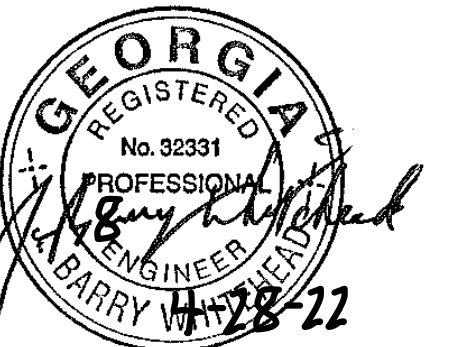
5 TYPICAL GOOSENECK DETAIL
 TYP. SCALE: NOT TO SCALE

*THIS SHEET IS APPLICABLE TO 11M01, 13M02 AND 14M02 SCOPE
 *DASHED AREAS ARE NOT IN SCOPE FOR THIS PACKAGE.

CONSULTANTS:

Issued For
 CONSTRUCTION
 04/28/2022
 www.ssoe.com

SEAL ON THIS DOCUMENT AUTHORIZED BY:



PROJECT INFORMATION:

BROWNFIELD
 MODIFICATIONS

CLIENT INFORMATION:



ASCEND
 ELEMENTS
 ASCEND
 ELEMENTS
 9172 INDUSTRIAL DR NE
 COVINGTON, GA
 30014

CLIENT PROJECT NO: XXX-XXXXX-XX

NO.	DATE	SUBJECT
A	04/28/22	FOR CONSTRUCTION - PKG 11M01

SSOE, Inc.
 1001 Madison Avenue
 Atlanta, GA 30304
 T: (419) 255-3830

PROJECT NO: 021-01975-00
 PROJECT MANAGER: R. FOX
 DESIGNED: I. SUGGALA
 CHECKED: B. WHITEHEAD

DRAWING TITLE:
 HVAC DETAILS

DRAWING NO:
 MH-502