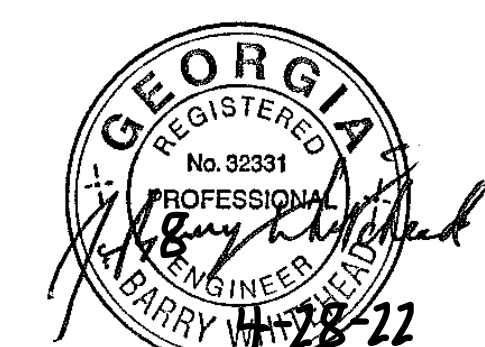


Issued For
CONSTRUCTION
04/28/2022
www.ssoe.com

SEAL ON THIS DOCUMENT AUTHORIZED BY:



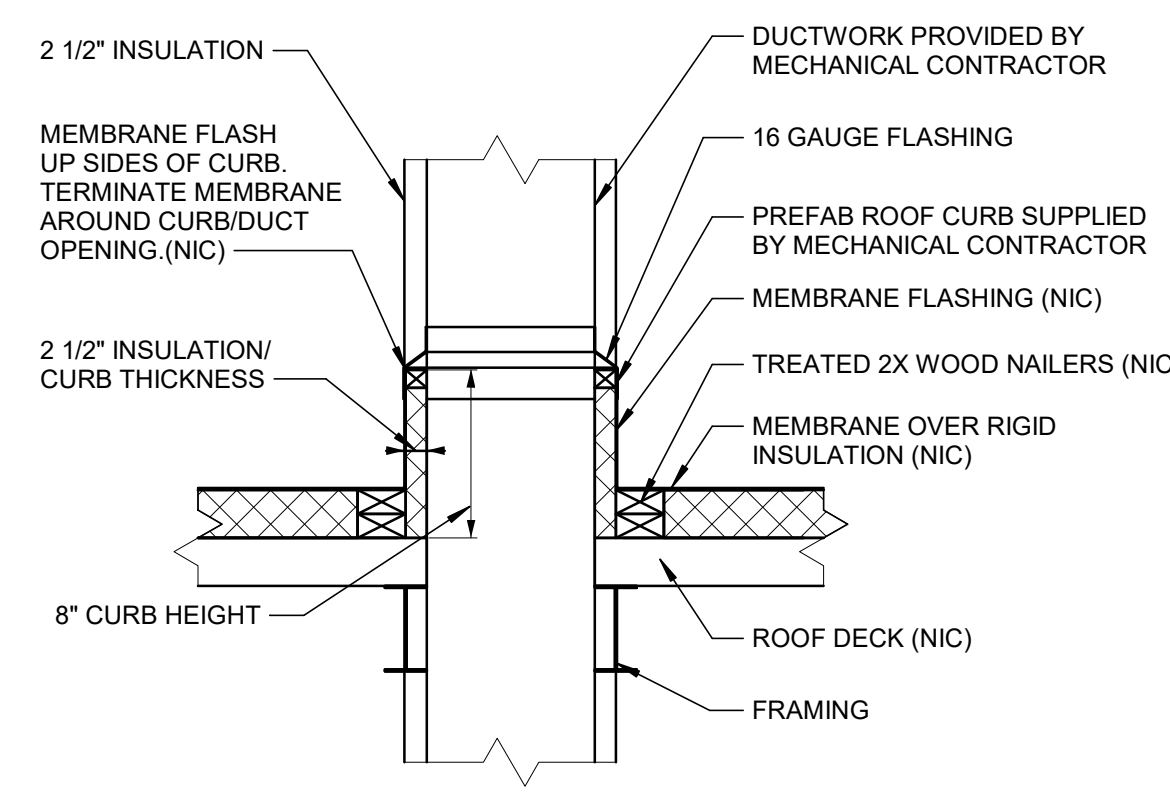
PROJECT INFORMATION:

BROWNFIELD MODIFICATIONS

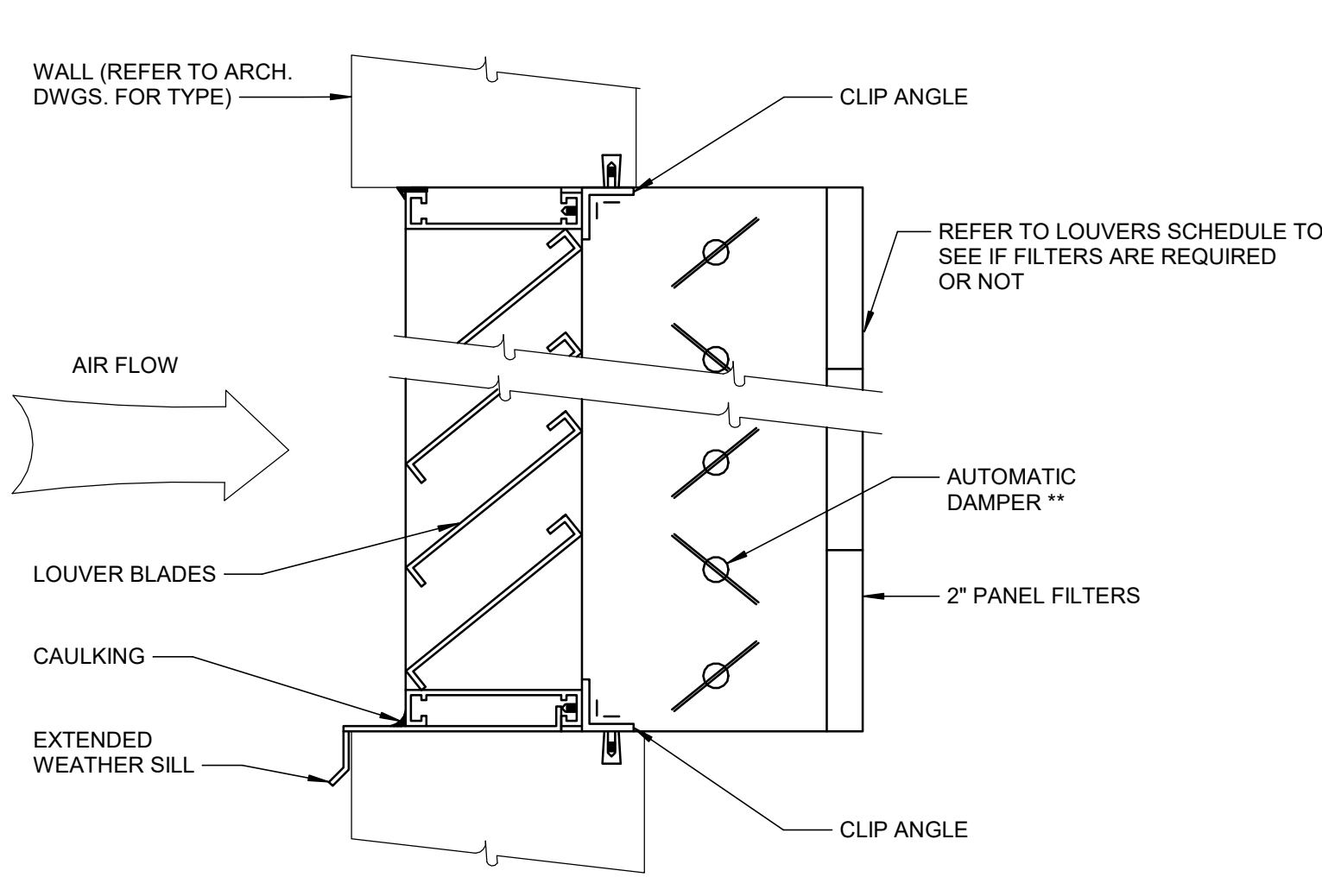
CLIENT INFORMATION:

ASCEND ELEMENTS
ASCEND ELEMENTS
9172 INDUSTRIAL DR NE
COVINGTON, GA
30014

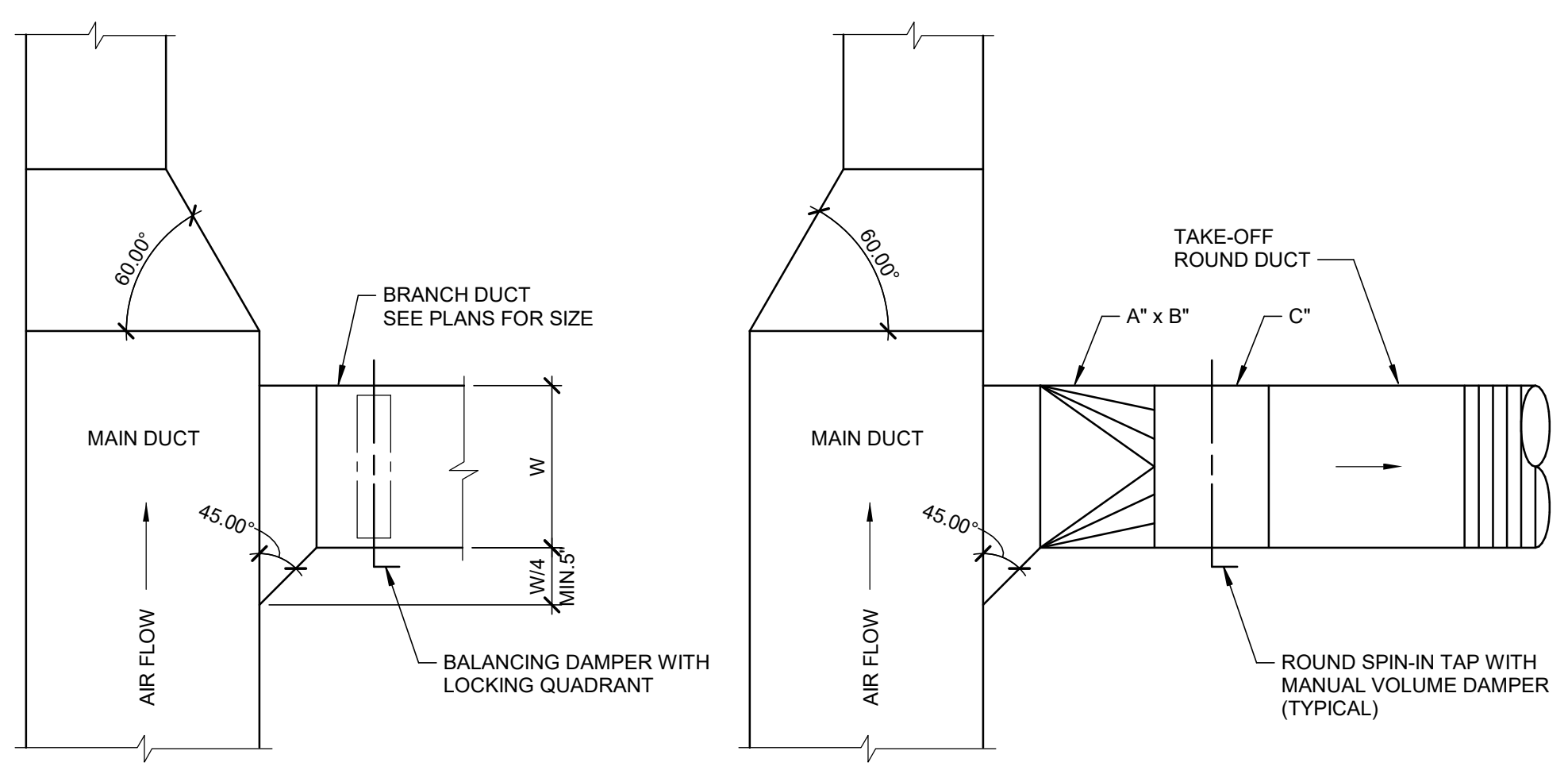
CLIENT PROJECT NO: XXX-XXXX-XX



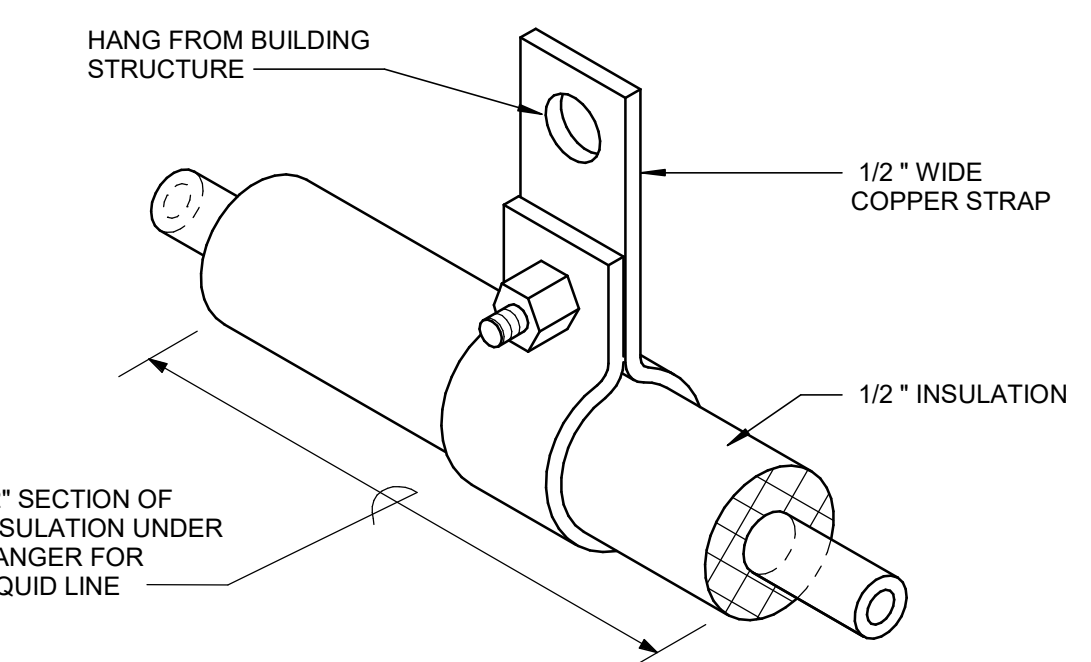
1 DUCT ROOF PENETRATION DETAIL
SCALE: NOT TO SCALE



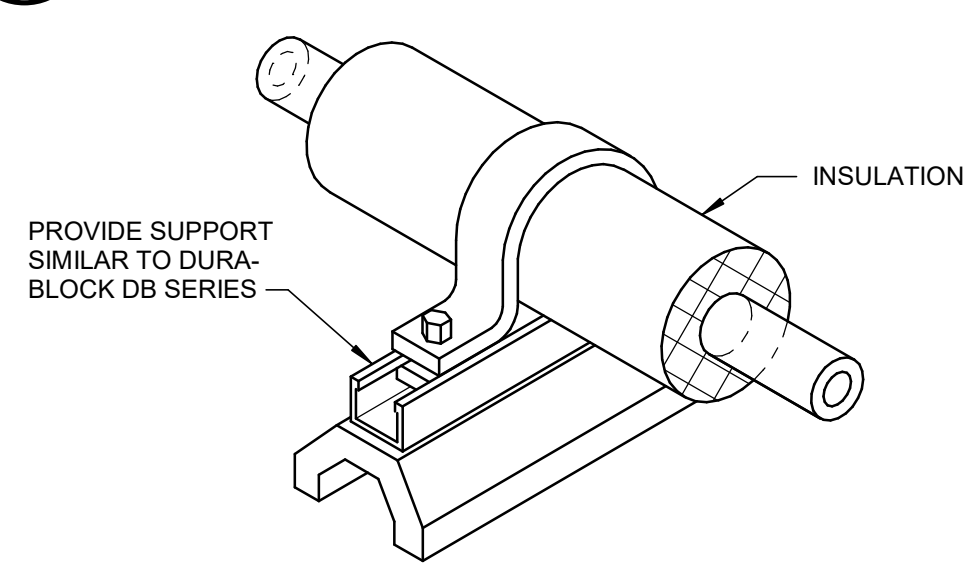
2 AUTOMATIC INTAKE LOUVER DETAIL
SCALE: NOT TO SCALE



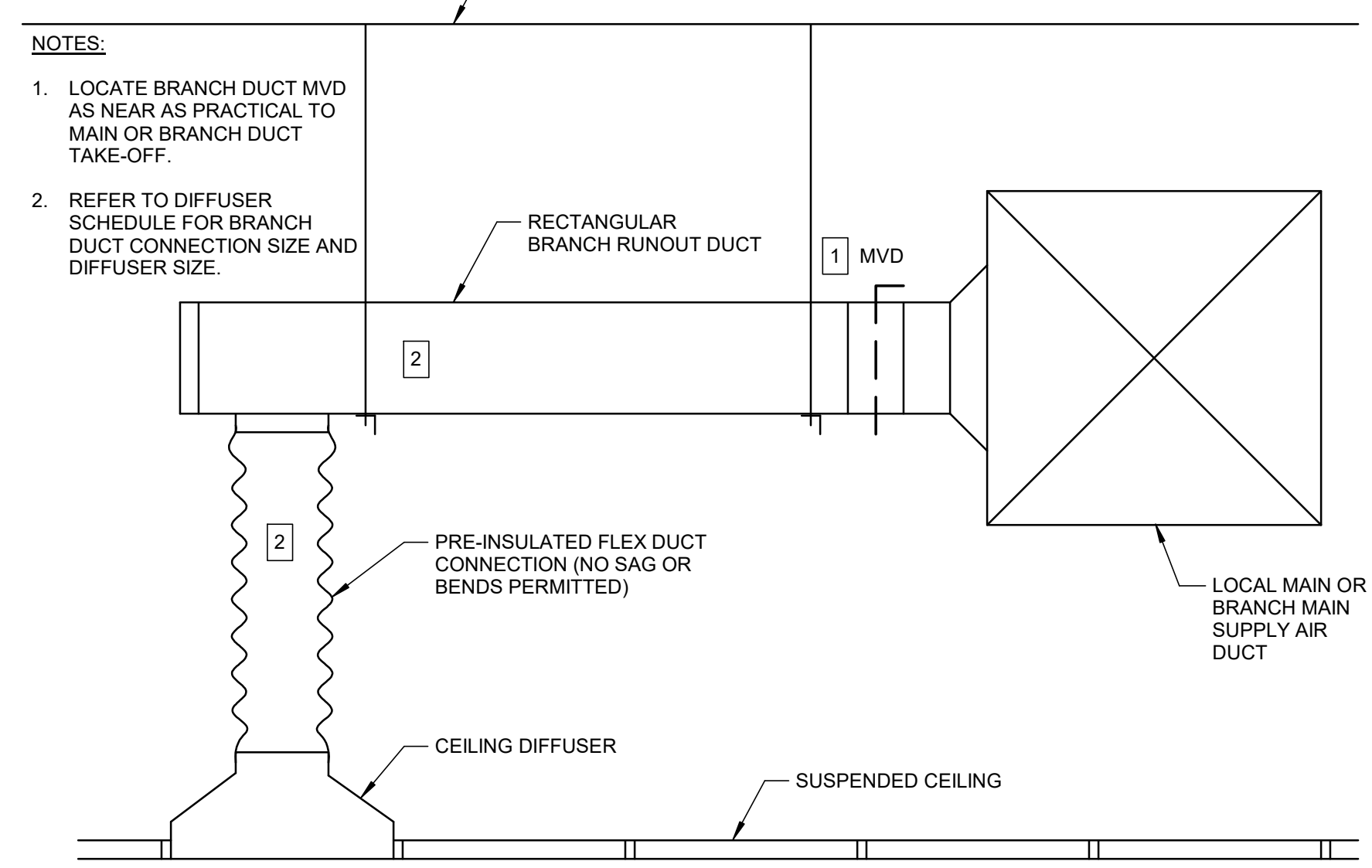
3 TYPICAL DUCT TAKEOFF DETAIL
SCALE: NOT TO SCALE



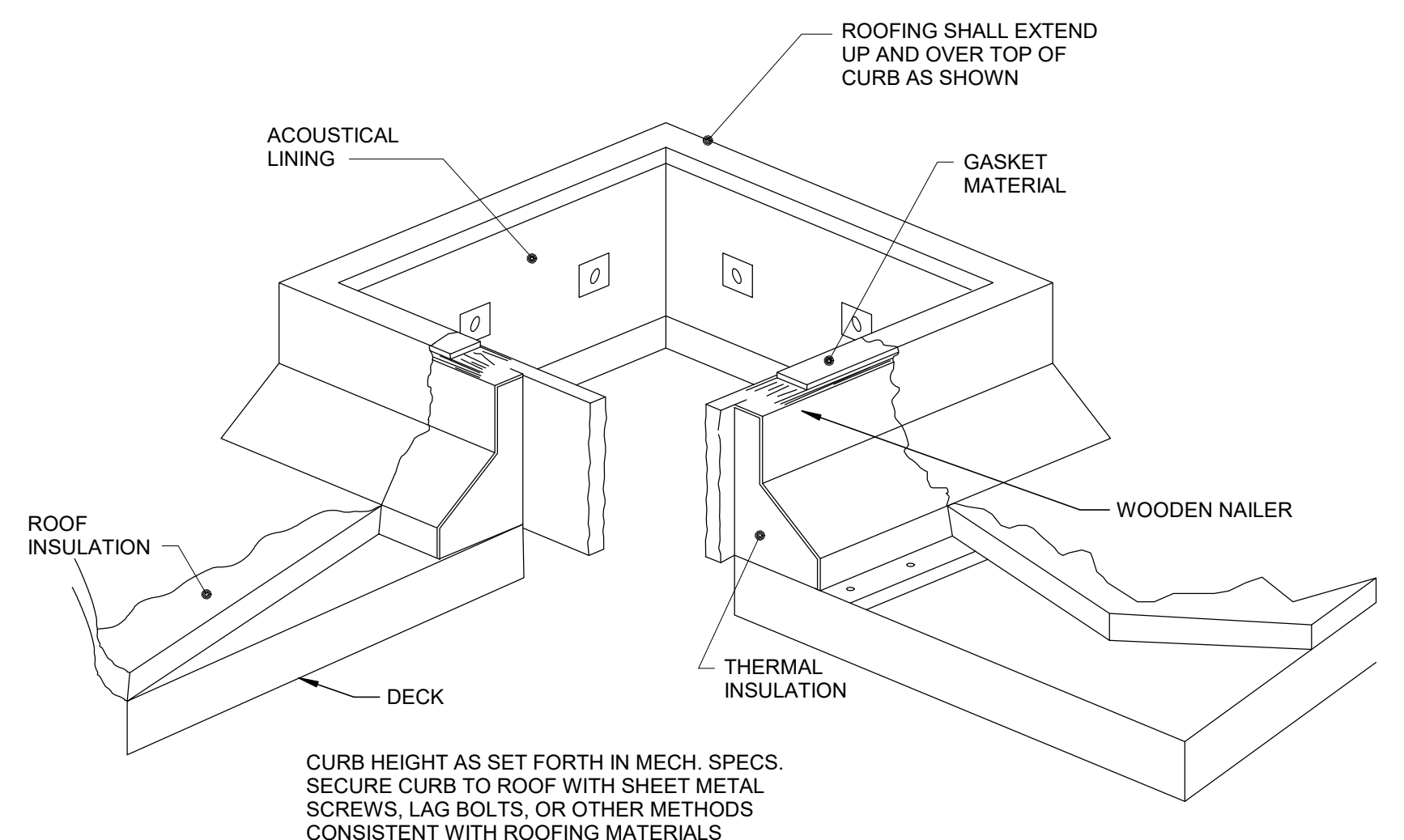
4 REFRIGERANT LINE HANGER DETAIL
SCALE: NOT TO SCALE



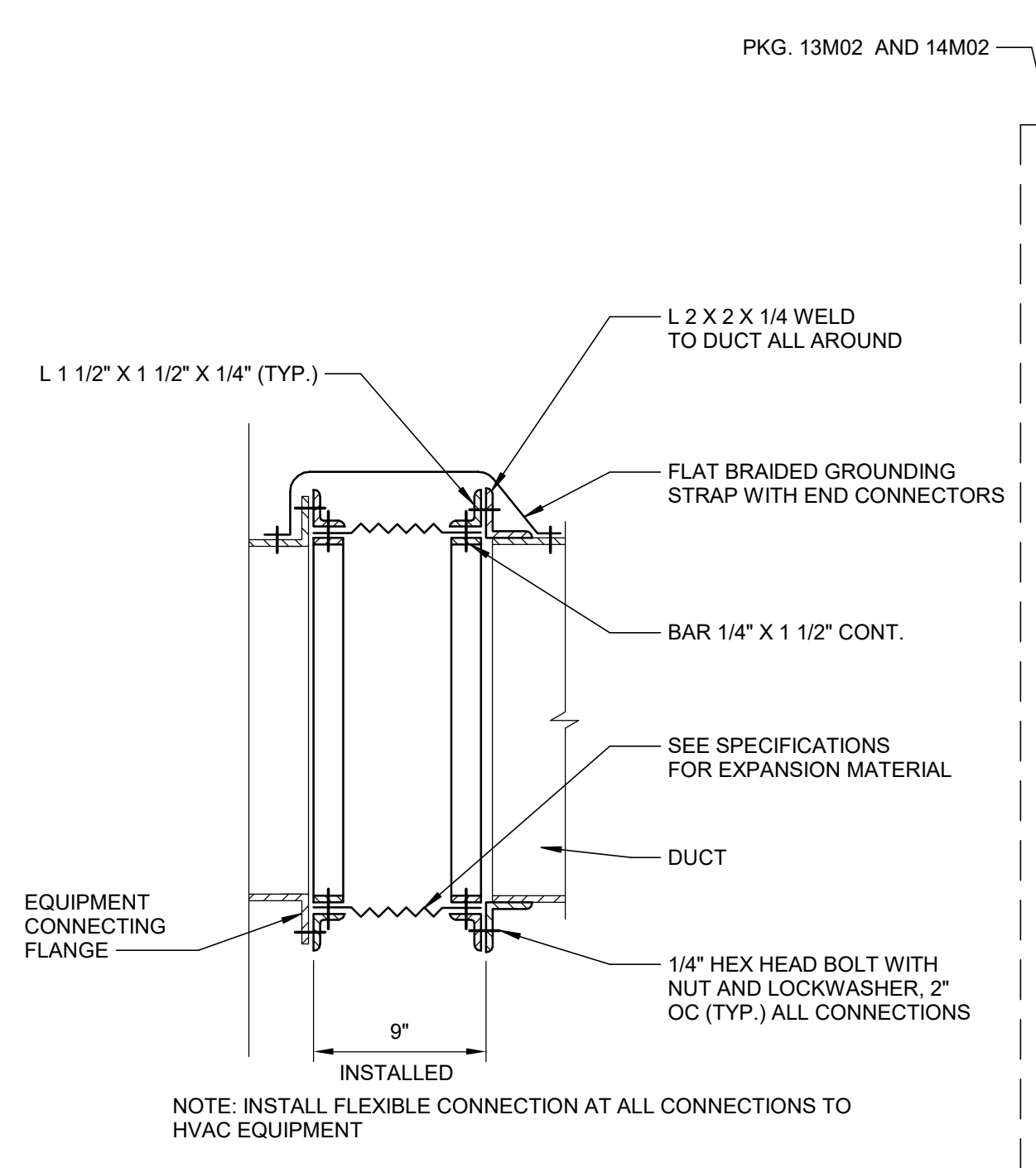
5 REFRIGERANT PIPE SUPPORT DETAIL
SCALE: NOT TO SCALE



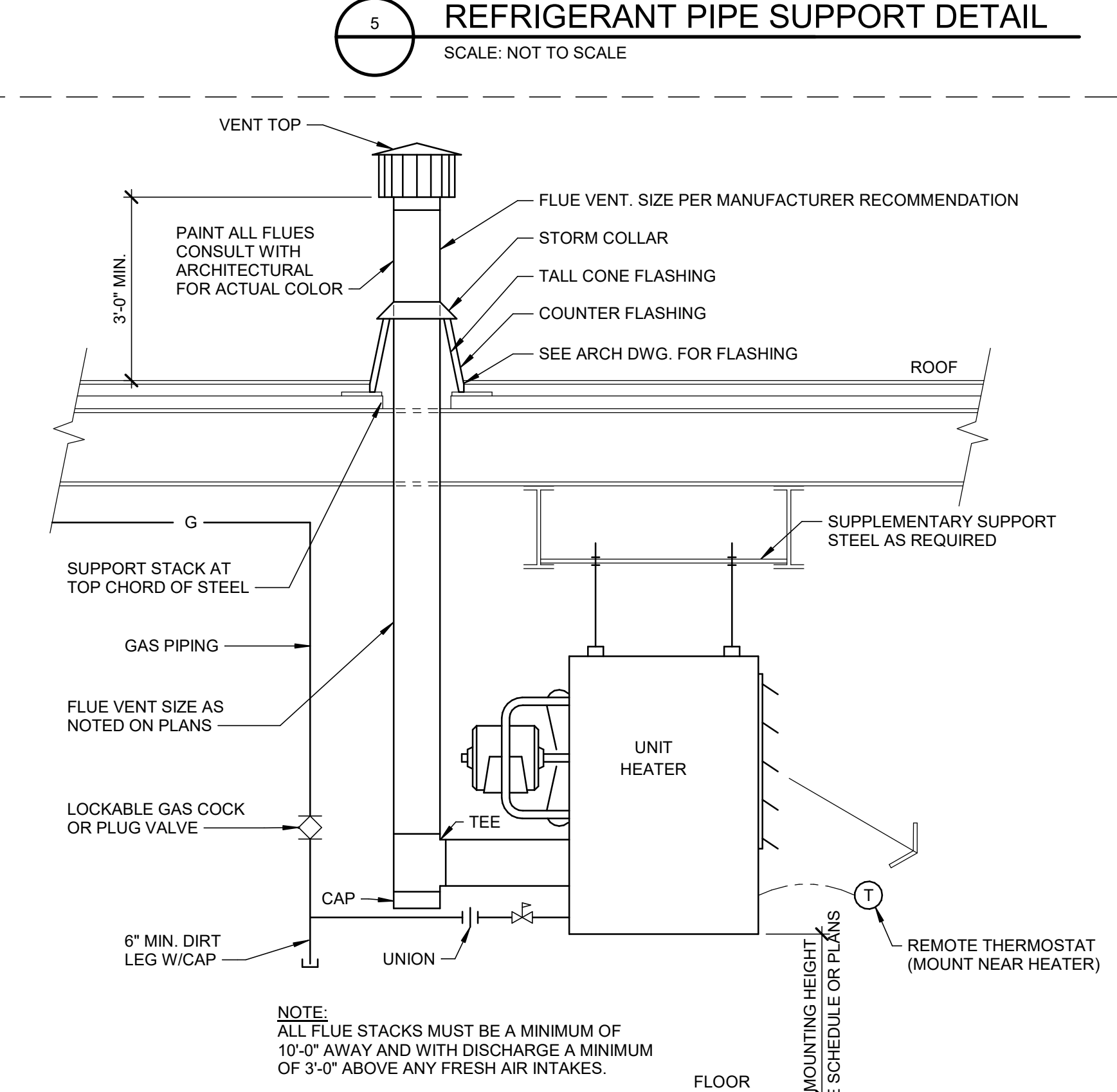
6 DUCT CONNECTIONS TO CEILING DIFFUSER TYPE-1
SCALE: NOT TO SCALE



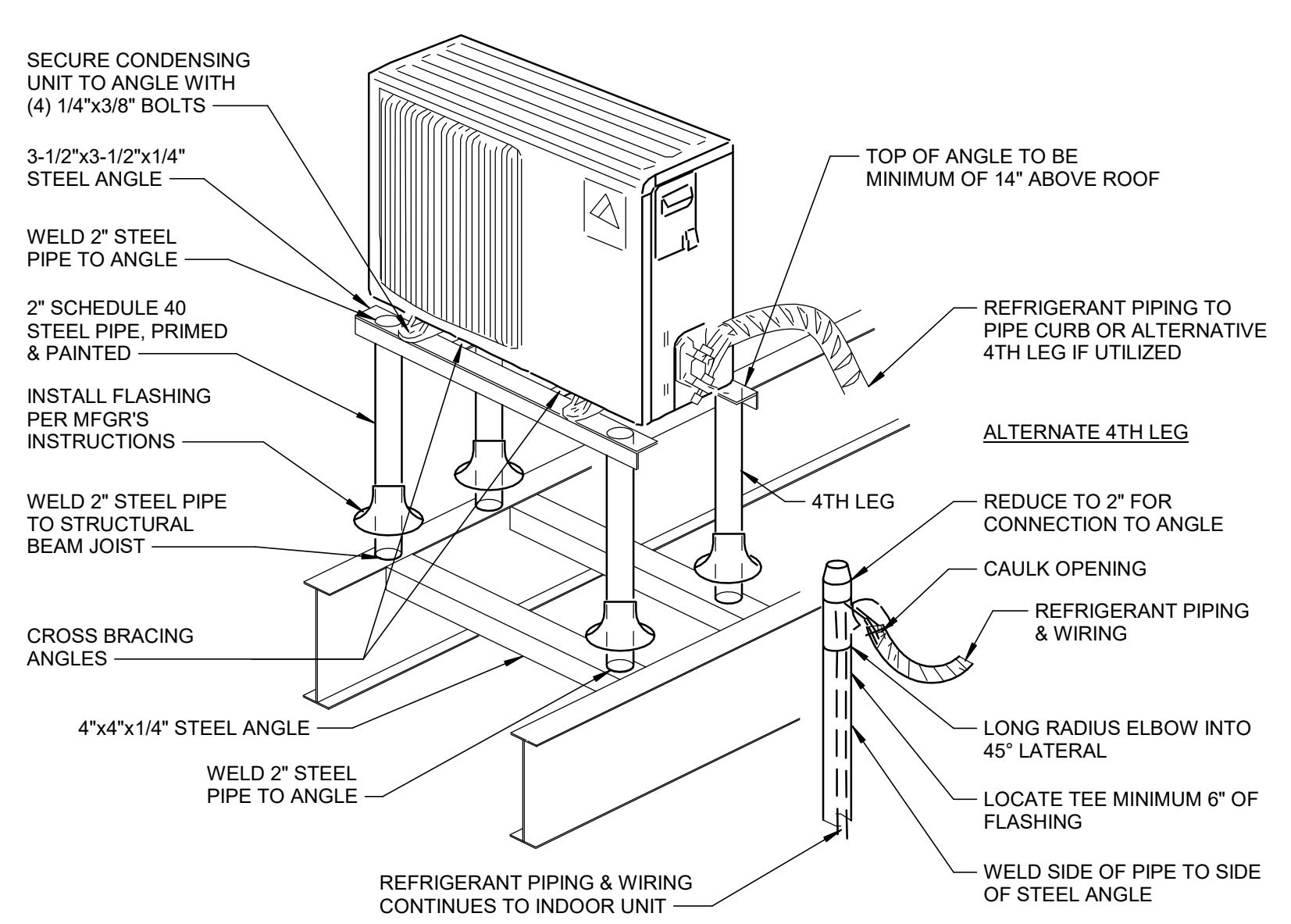
7 ROOF CURB DETAIL
SCALE: NOT TO SCALE



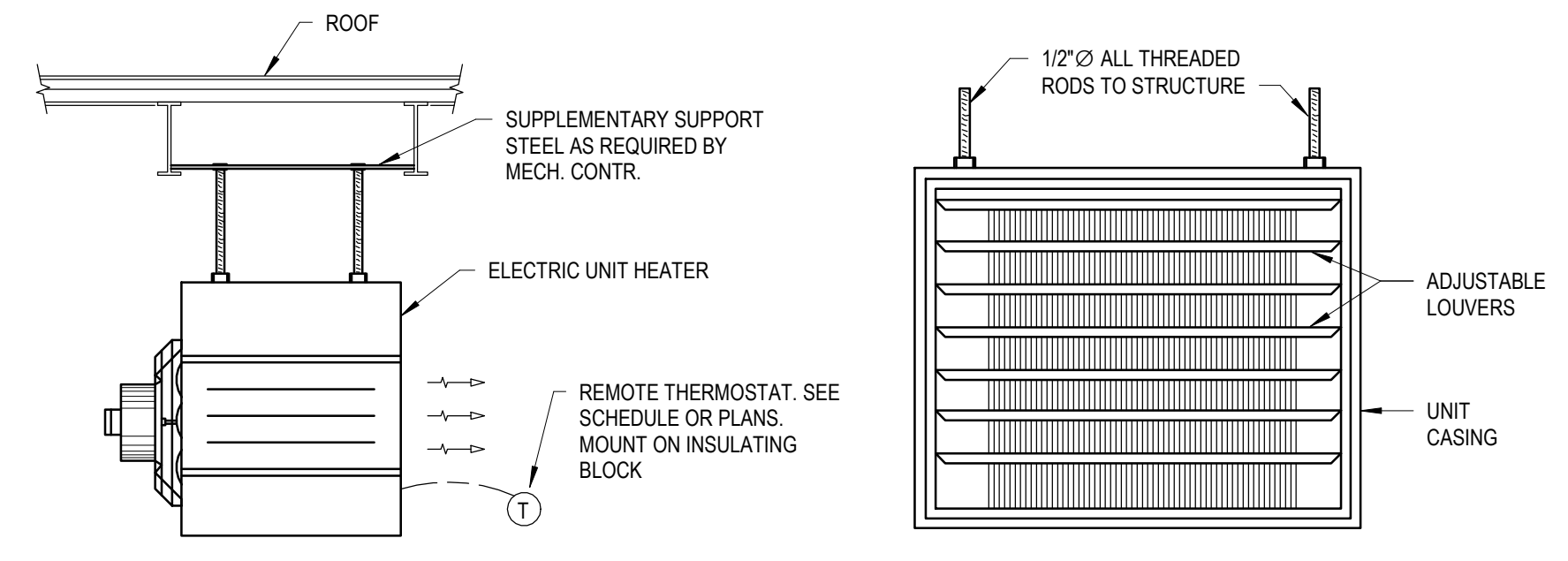
8 FLEXIBLE CONNECTION DETAIL
SCALE: NOT TO SCALE



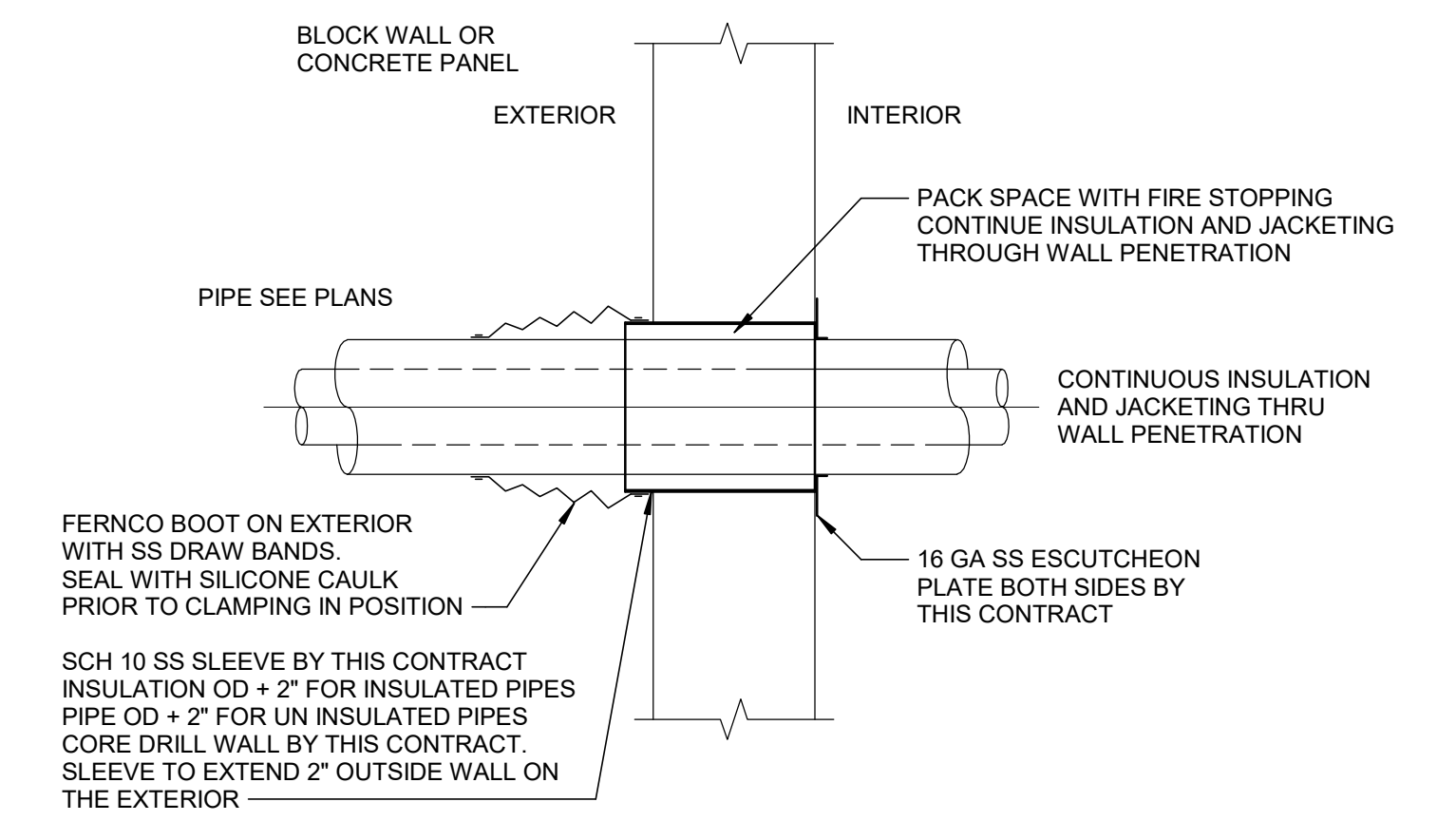
9 GAS FIRED UNIT HEATER DETAIL
SCALE: NOT TO SCALE



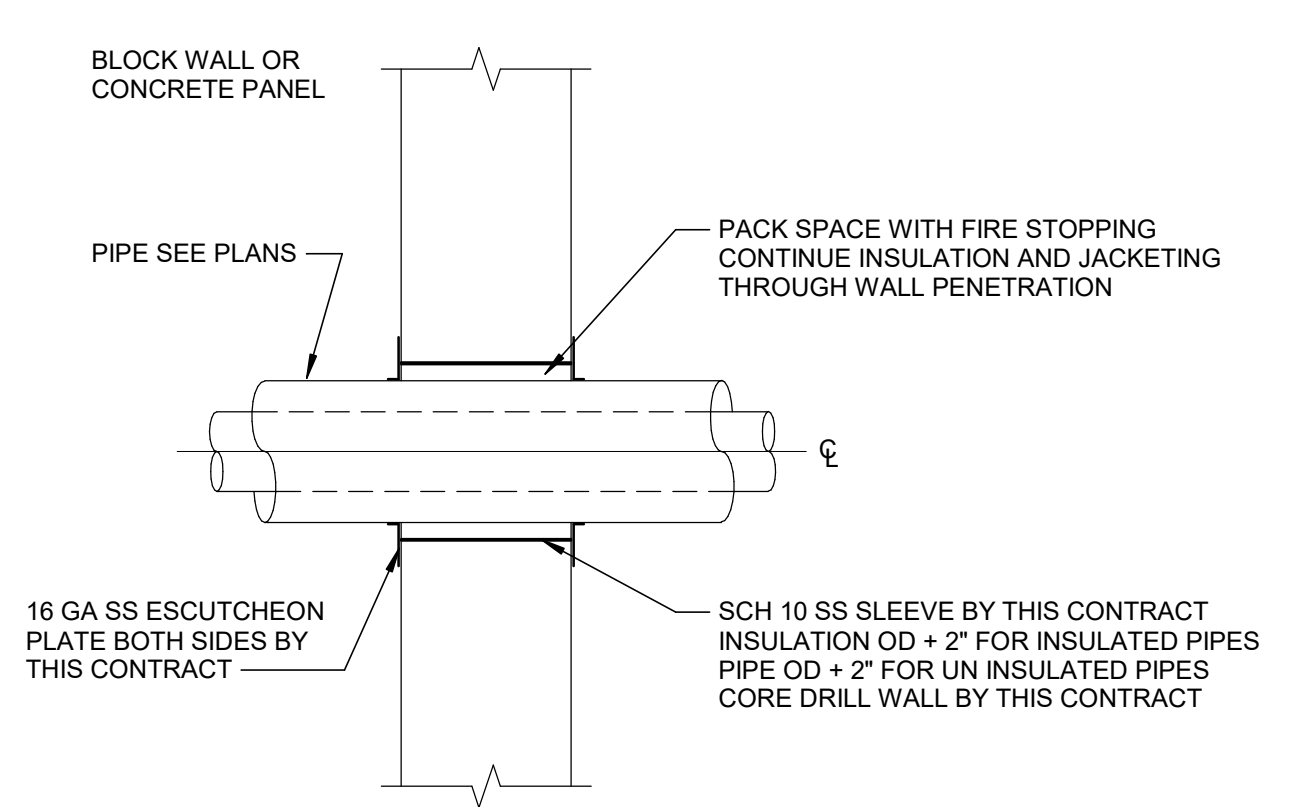
10 DUCTLESS SPLIT CONDENSING UNIT MOUNTING DETAIL
SCALE: NOT TO SCALE



11 ELECTRIC UNIT HEATER DETAIL
SCALE: NOT TO SCALE



12 EXTERIOR WALL PENETRATION DETAIL
SCALE: NOT TO SCALE



13 INTERIOR WALL PENETRATION DETAIL
SCALE: NOT TO SCALE

*THIS SHEET IS APPLICABLE TO 11M01, 13M02 AND 14M02 SCOPE
*DASHED AREAS ARE NOT IN SCOPE FOR THIS PACKAGE.