

**GENERAL NOTES**

**NOTE 1:** MOUNTING HEIGHTS SHOWN ARE FOR ACCESSORIES AND FIXTURES REQUIRED UNLESS OTHERWISE NOTED OR DIMENSIONED ON DRAWINGS FOR SPECIFIC CONDITIONS.

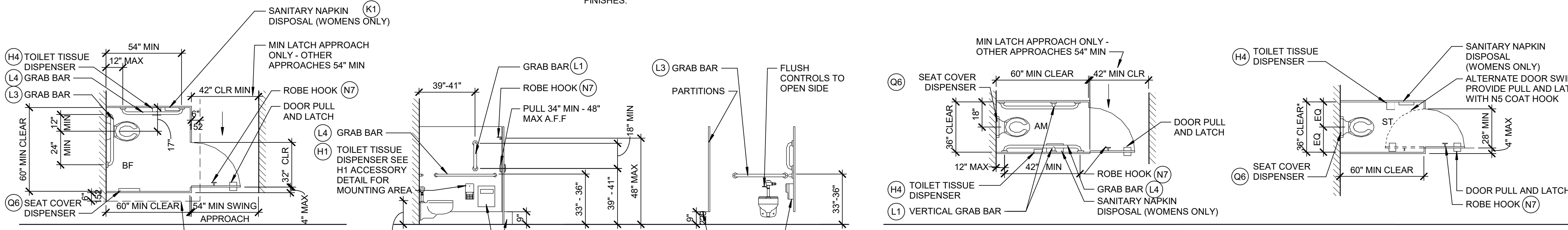
**NOTE 2:** THE REFERENCE STANDARDS FOR THESE DETAILS IS THE 2009 INTERNATIONAL CODE COUNCIL A117.1-2009, ACCESSIBLE AND USABLE BUILDING AND FACILITIES, AS REFERENCED BY CHAPTER 11 OF THE INTERNATIONAL CODE COUNCIL MODEL CODES AND THE DEPARTMENT OF JUSTICE 2010 ADA STANDARDS FOR ACCESSIBLE DESIGN.

**NOTE 3:** THE BASIS OF DESIGN FOR THESE DETAILS IS BOBRICK. REFER TO THE SPECIFICATION MANUAL FOR OTHER MANUFACTURERS. ADJUST MOUNTING TO MATCH CRITICAL DIMENSIONS AND OPERATION REQUIREMENTS AND REACH RANGES.

**NOTE 4:** DIMENSIONS NOTED AS MINIMUM / MAXIMUM OR CLEAR INDICATE FINISHED DIMENSION AND MUST BE MAINTAINED. ADJUST WALL DIMENSIONS IF NECESSARY TO MAINTAIN REQUIRED CLEARANCES BETWEEN FIXTURES AND FINISHES.

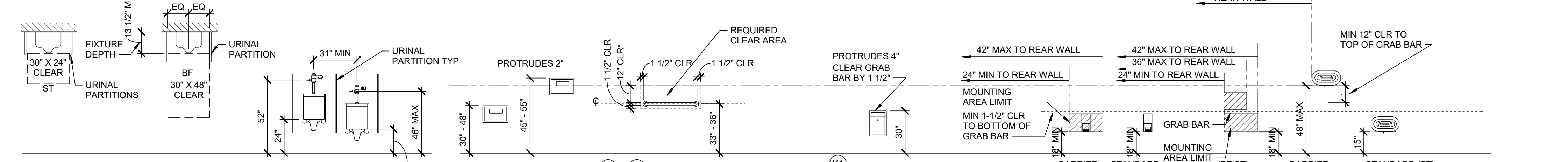
**NOTE 5:** OPERABLE PARTS SHALL BE OPERABLE WITH ONE HAND AND SHALL NOT REQUIRE TIGHT GRASPING, PINCHING, OR TWISTING OF THE WRIST. THE FORCE REQUIRED TO ACTIVATE OPERABLE PARTS SHALL BE 5 POUND (22.2N) MAXIMUM.

**NOTE 6:** PROVIDE BARRIER FREE (BF), AMBULATORY (AM) OR STANDARD (ST) DETAILS AS INDICATED ON FLOOR PLANS. MOUNT ALL ACCESSORIES AS INDICATED BELOW IN EACH TOILET STALL TYPE. PROVIDE MINIMUM (1) SET OF BARRIER FREE (BF) ACCESSORIES FOR EACH BARRIER FREE (BF) FIXTURE.

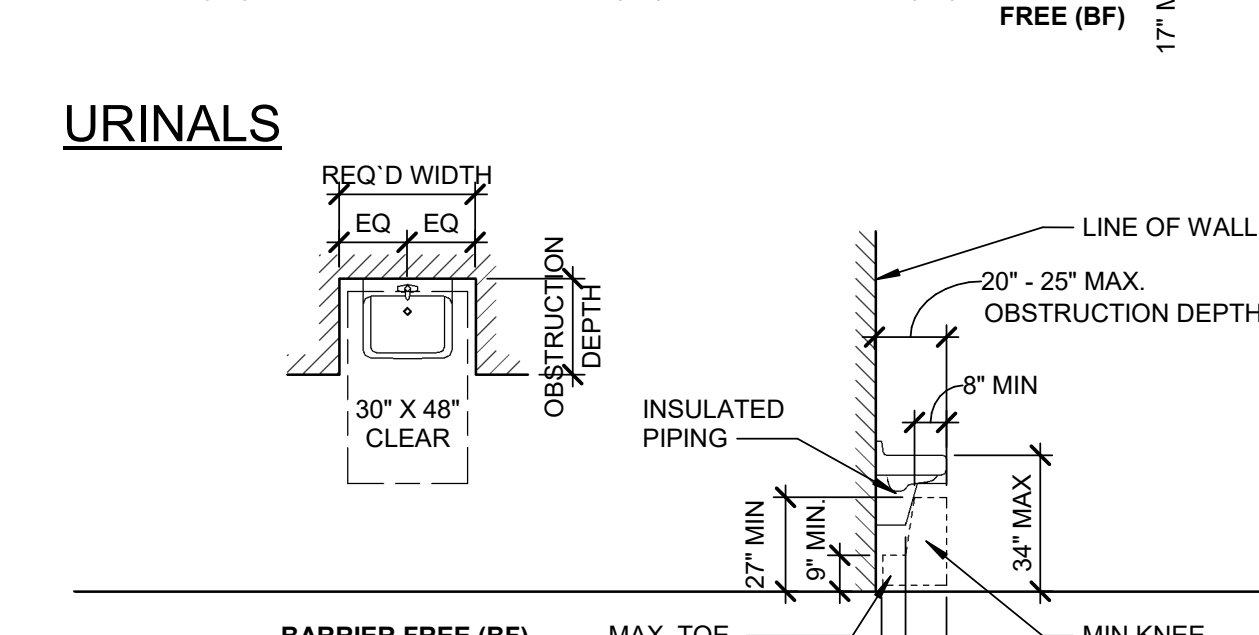


**BARRIER FREE (BF)**  
GENERAL NOTE: PROVIDE 9" TOE CLEARANCE EXTENDING 6" BEYOND THE COMPARTMENT FRONT AND SIDE FACE OF THE PARTITION. EXCLUSIVE OF PARTITION SUPPORT MEMBERS TYPICAL. IF 9" TOE CLEARANCE IS NOT PROVIDED AT PARTITIONS, EXTEND COMPARTMENT DEPTH TO 62" AT WALL HUNG TOILETS AND 66" AT FLOOR MOUNTED TOILETS MINIMUM. MAINTAIN ALL OTHER CLEARANCES.

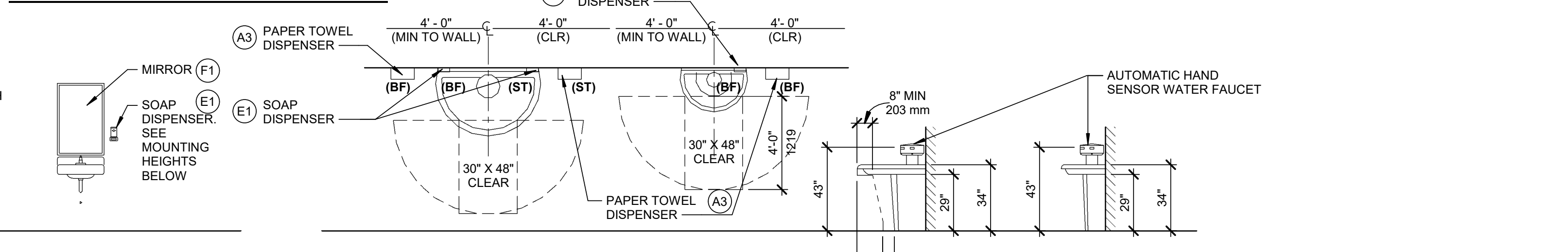
**WATER CLOSET**



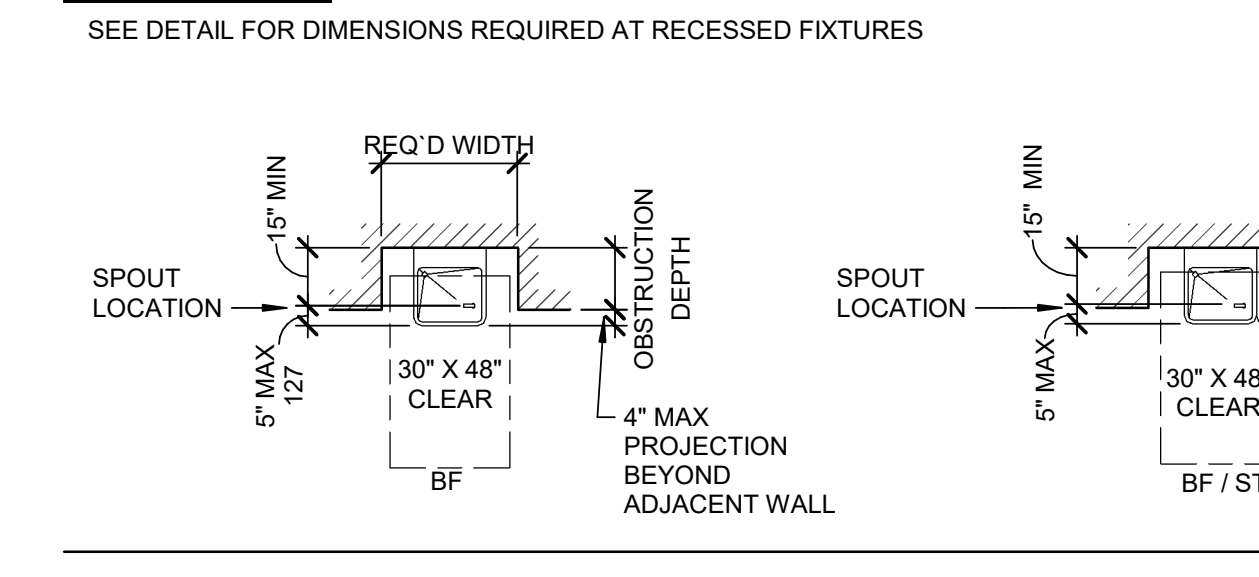
**URINALS**



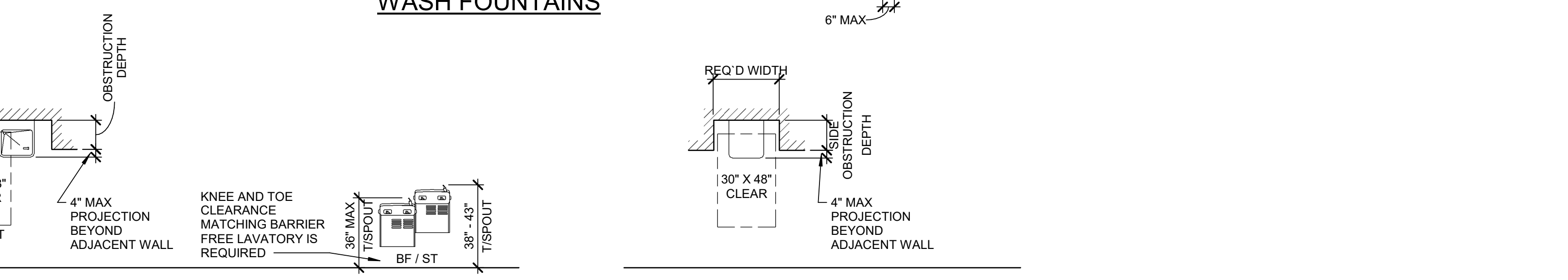
**WATER CLOSET ACCESSORIES**



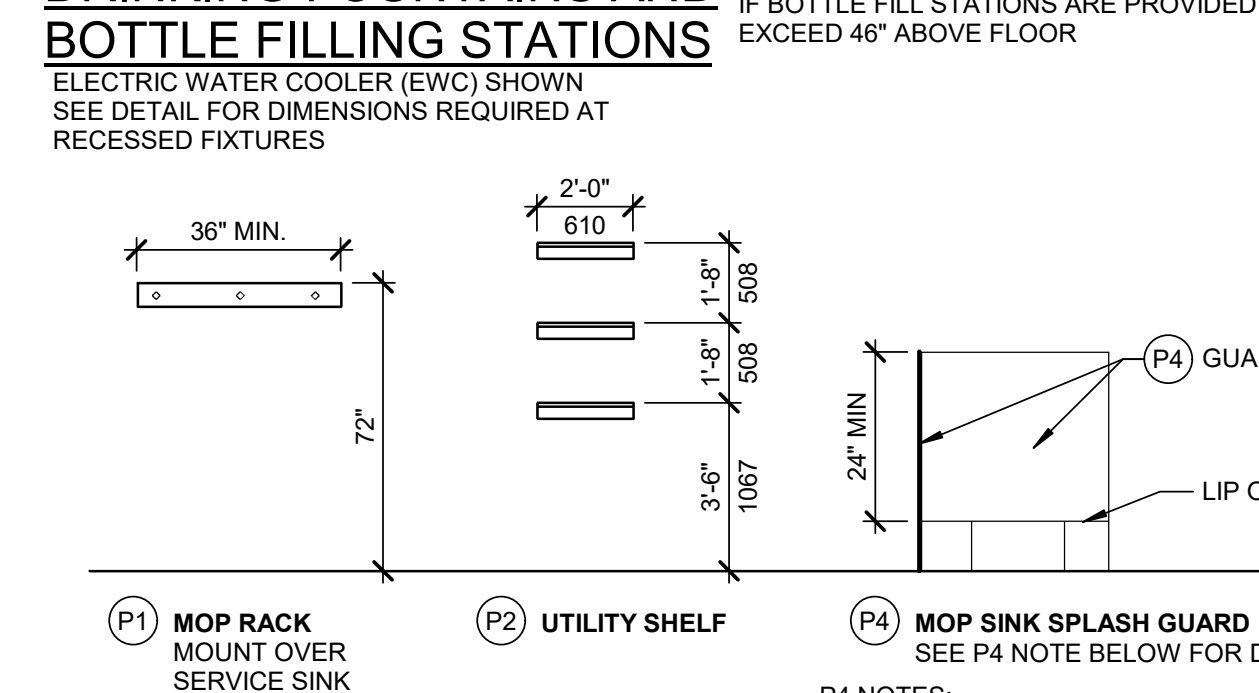
**LAVATORY**



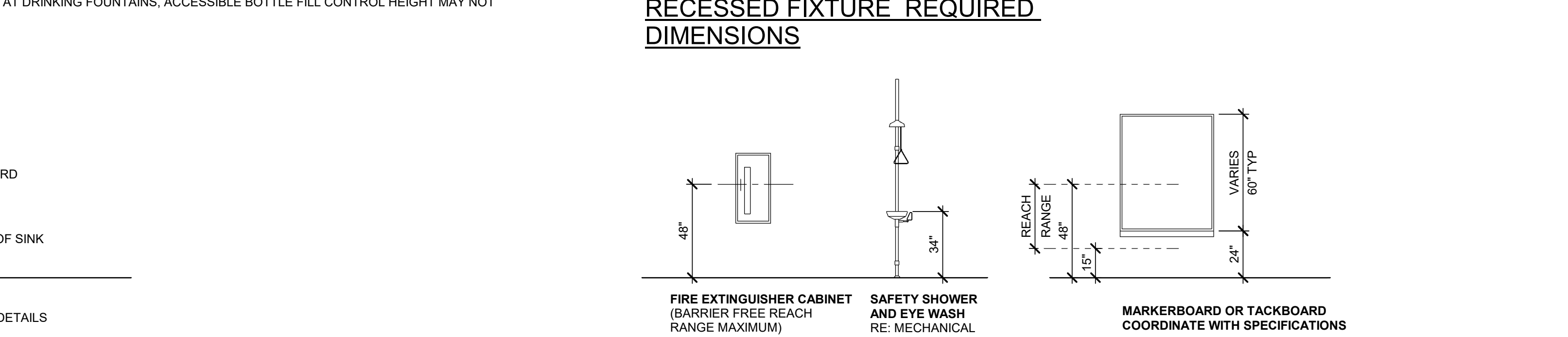
**WASH FOUNTAINS**



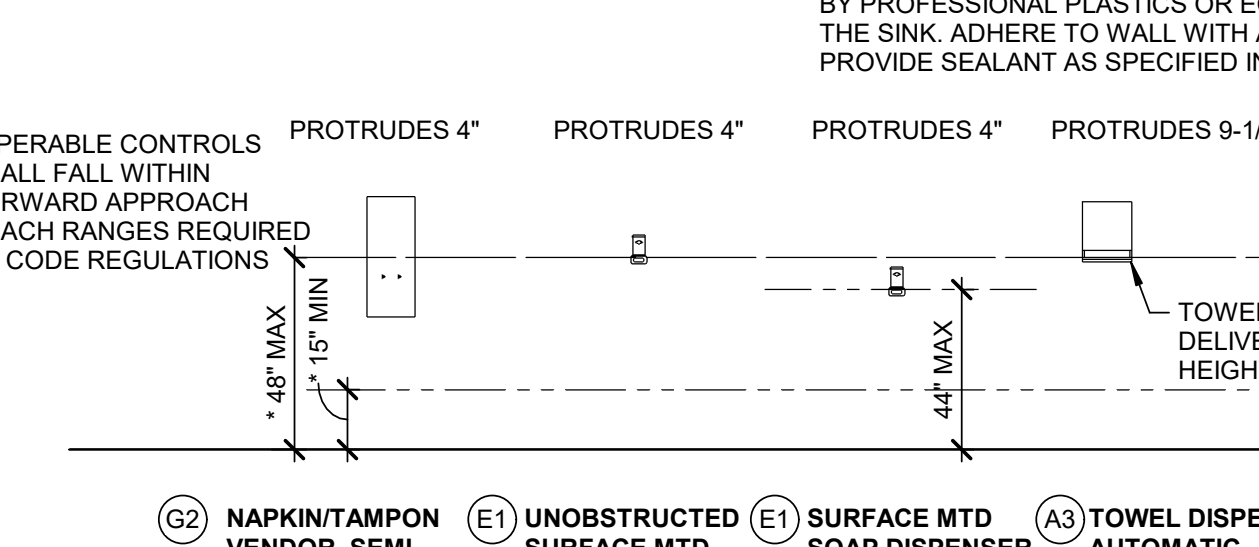
**DRINKING FOUNTAINS AND BOTTLE FILLING STATIONS**



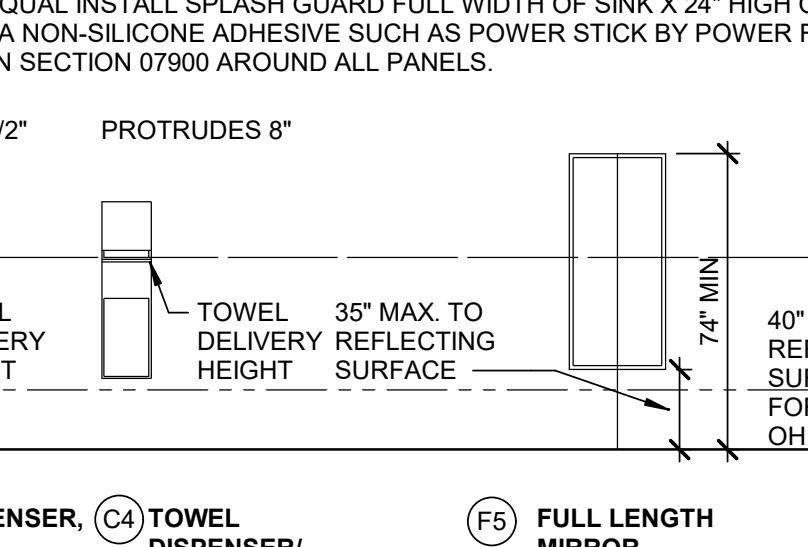
**RECESSED FIXTURE REQUIRED DIMENSIONS**



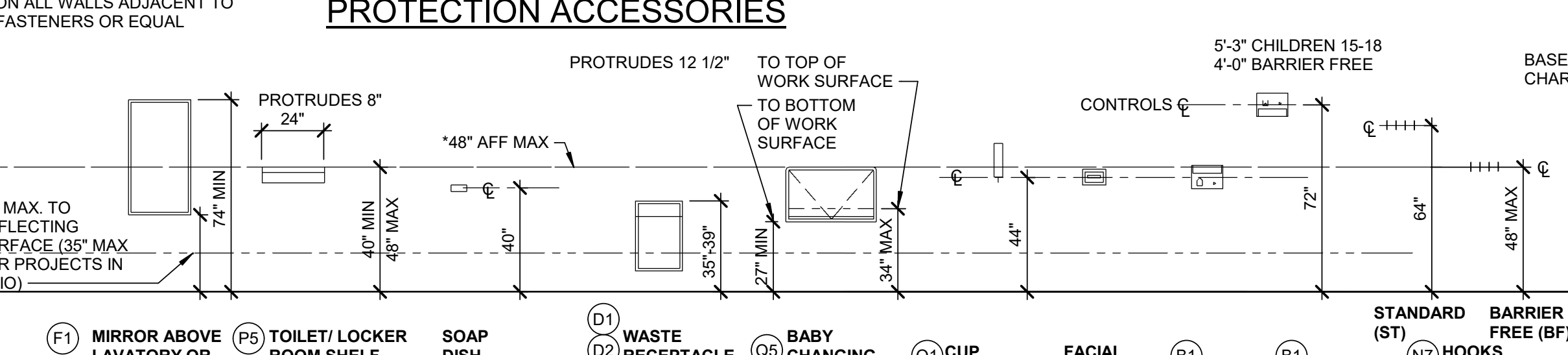
**JANITORIAL ACCESSORIES**



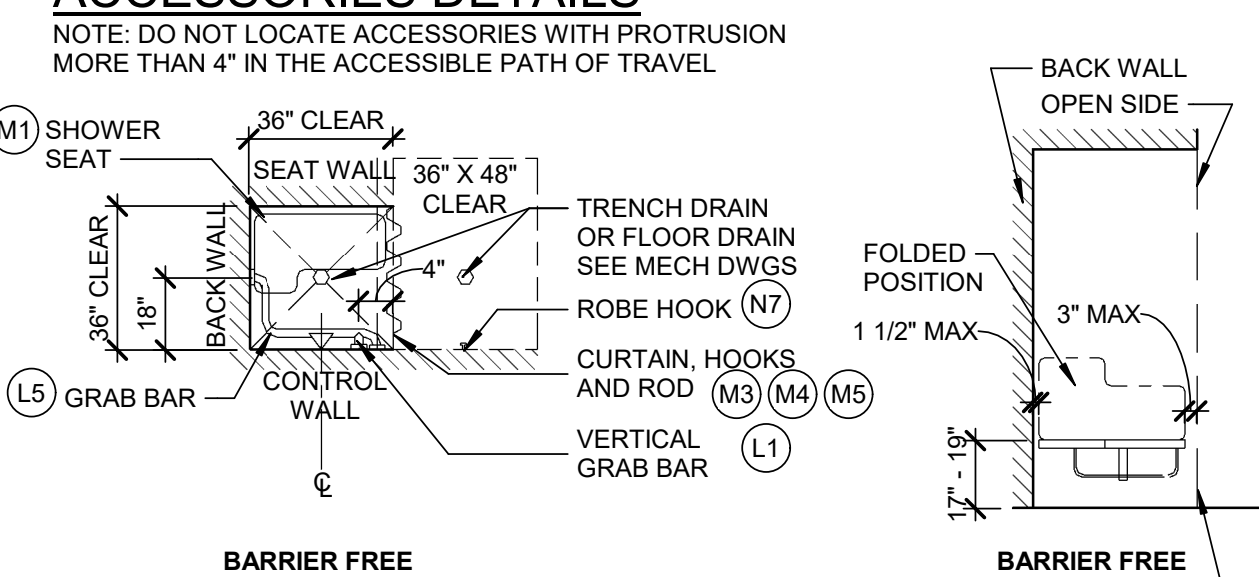
**SAFETY AND FIRE PROTECTION ACCESSORIES**



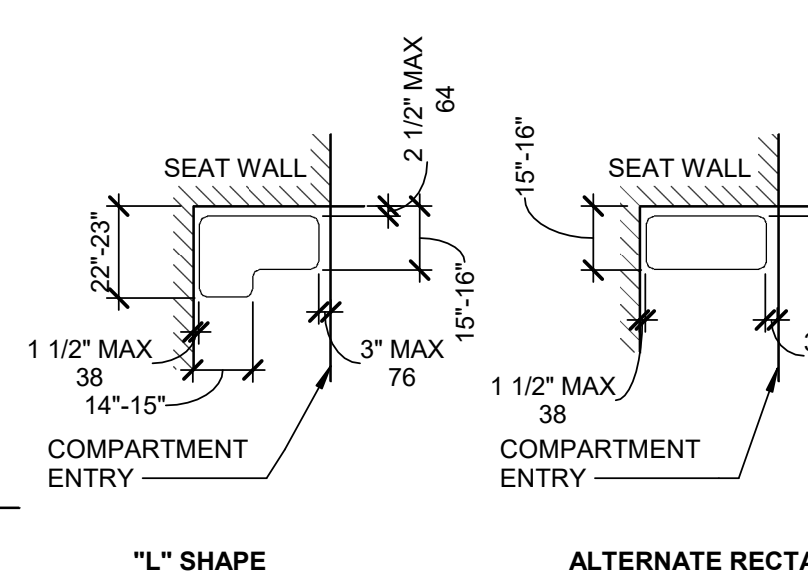
**MISCELLANEOUS ACCESSORIES**



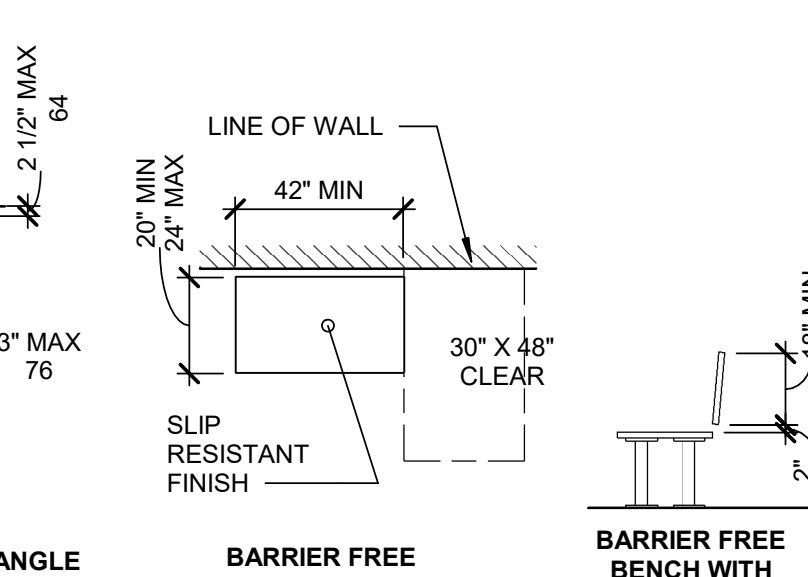
**ACCESSORIES DETAILS**



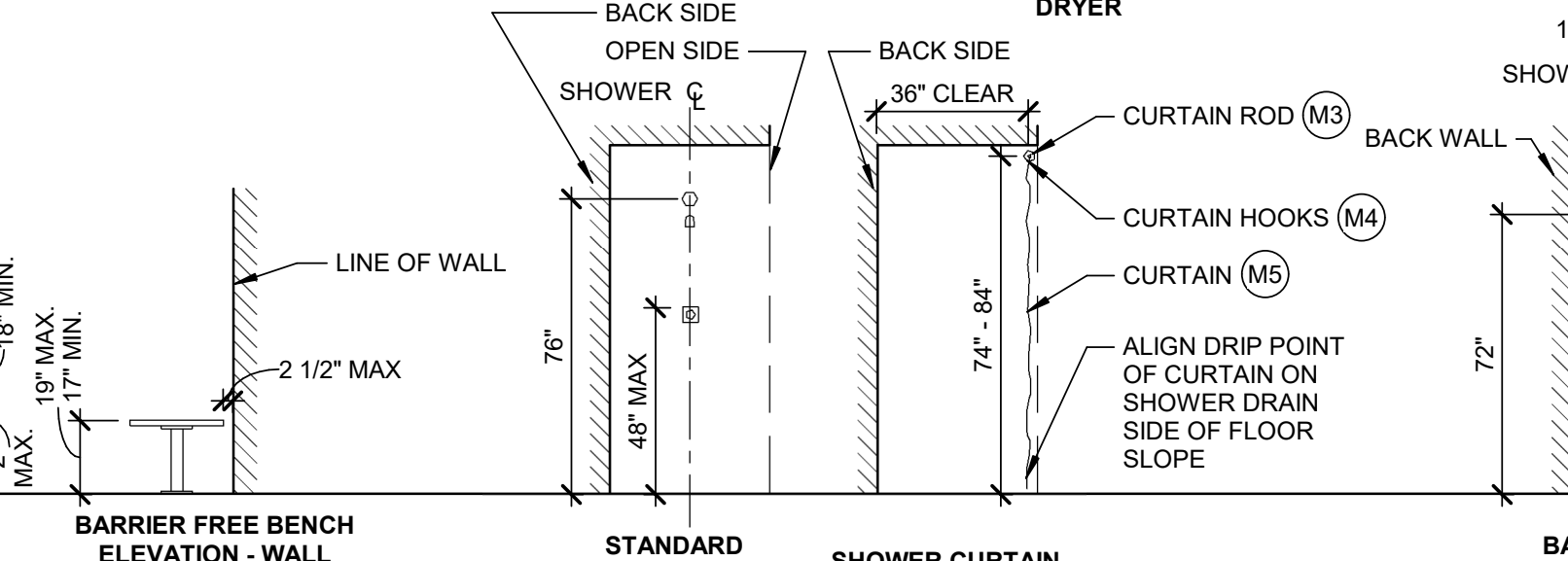
**SHOWER STALL AND ACCESSORIES**



**BARRIER FREE BENCH**



**LOCKER DETAILS**



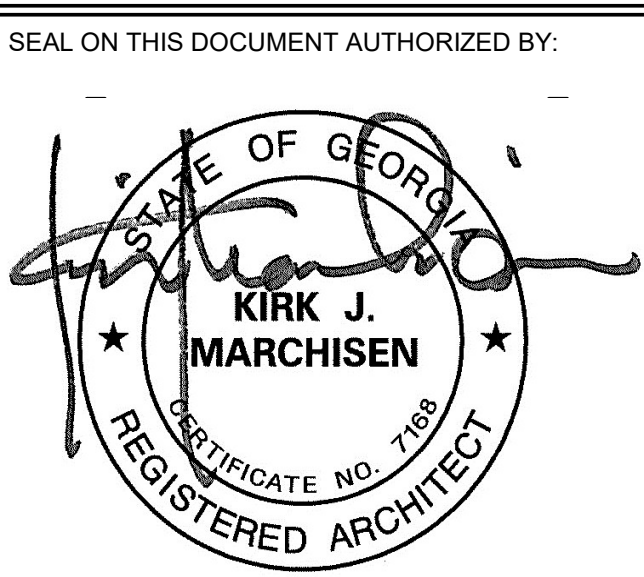
**Reference Toilet Accessory Schedule**

KEY	ITEM DESCRIPTION	BASIS OF DESIGN REFER TO SPEC FOR MANUFACTURERS	PROVIDED BY OWNER (O) OR CONTRACTOR (C)	INSTALLED BY OWNER (O) OR CONTRACTOR (C)
<b>PAPER TOWEL DISPENSERS</b>				
A1	SURFACE MOUNTED PAPER TOWEL DISPENSER			
A2	RECESSED PAPER TOWEL DISPENSER			
A3	SURFACE MOUNTED ROLL PAPER TOWEL DISPENSER	BOBRICK B-72974		
<b>ELEC HAND DRYERS</b>				
B1	SURFACE MOUNTED HAND DRYER			
B2	SURFACE MOUNTED HAND DRYER, ACCESSIBLE HAIR DRYER			
<b>PAPER TOWEL / WASTE COMBO</b>				
C1	SURFACE MOUNTED COMBINATION PAPER TOWEL DISPENSER & WASTE RECEPTACLE (SMALL)			
C2	(SEMI) RECESSED COMBINATION PAPER TOWEL DISPENSER & WASTE RECEPTACLE (SMALL)			
C3	SURFACE MOUNTED COMBINATION PAPER TOWEL DISPENSER & WASTE RECEPTACLE (TALL)			
C4	(SEMI) RECESSED COMBINATION PAPER TOWEL DISPENSER & WASTE RECEPTACLE (TALL)	BOBRICK B-3974		
C5	RECESSED COMBINATION PAPER TOWEL DISPENSER & WASTE RECEPTACLE (TALL)			
<b>WASTE RECEPTACLE</b>				
D1	SURFACE MOUNTED WASTE RECEPTACLE: MIN 6.5 GALLON CAPACITY			
D2	SURFACE MOUNTED WASTE RECEPTACLE: MIN 20 GALLON CAPACITY	BOBRICK B-275		
D3	SEMI-RECESSED WASTE RECEPTACLE: MIN 12 GALLON CAPACITY			
D4	WASTE BASKET, PORTABLE			
<b>SOAP DISPENSERS</b>				
E1	SURFACE MOUNTED LIQUID SOAP DISPENSER	BOBRICK B-2111		
E2	RECESSED LIQUID SOAP DISPENSER			
E3	LAVATORY MOUNTED LIQUID SOAP DISPENSER			
E4	SURFACE MOUNTED POWDERED SOAP DISPENSER			
E5	SURFACE MOUNTED LIQUID SOAP DISPENSER: PLASTIC CONTAINER			
<b>MIRRORS</b>				
F1	FRAMED MIRROR (ABOVE LAVATORY)	BOBRICK B-290 2448		
F2	FRAMED MIRROR W/ SHELF (SIZE VARIES, COMPLY WITH F1 AND P5)			
F3	FIXED TILT FRAMED MIRROR (SIZE VARIES, COMPLY WITH F1 AND P5)			
F4	FIXED TILT FRAMED MIRROR W/ SHELF (SIZE VARIES, COMPLY WITH F1 AND P5)	BOBRICK B-290 2460		
F5	FRAMED FULL LENGTH MIRROR			
<b>SANITARY SUPPLY DISPENSERS</b>				
G1	RECESSED SANITARY NAPKIN / TAMPON DISPENSER COMBINATION VENDOR			
G2	SEMI-RECESSED SANITARY NAPKIN / TAMPON DISPENSER COMBINATION VENDOR	BOBRICK B-3706 25		
G3	SURFACE MOUNTED SANITARY NAPKIN / TAMPON DISPENSER COMBINATION VENDOR			
<b>TOILET TISSUE DISPENSERS</b>				
H1	TOILET PARTITION MOUNTED TOILET TISSUE DISPENSER, DUAL-ROLL FOR TWO COMPARTMENTS			
H2	RECESSED TOILET TISSUE DISPENSER, DUAL-ROLL			
H3	SURFACE MOUNTED TOILET TISSUE DISPENSER, DUAL-ROLL (NOT SUITABLE FOR ACCESSIBLE TOILET STALL)			
H4	SURFACE MOUNTED TOILET TISSUE DISPENSER, MULTI ROLL	BOBRICK B-2888		
H5	RECESSED TOILET TISSUE DISPENSER, SINGLE-ROLL			
H6	SURFACE MOUNT DUAL JUMBO ROLL TOILET TISSUE DISPENSER	BOBRICK B-2892		
<b>SANITARY NAPKIN DISPOSAL AND TOILET TISSUE DISPENSER</b>				
J1	TOILET PARTITION MOUNTED COMBINATION FEMININE NAPKIN DISPOSAL & TOILET TISSUE DISPENSER			
J2	RECESSED COMBINATION FEMININE NAPKIN DISPOSAL & TOILET TISSUE DISPENSER			
J3	SURFACE MOUNTED COMBINATION FEMININE NAPKIN DISPOSAL & TOILET TISSUE DISPENSER (NOT SUITABLE FOR ACCESSIBLE TOILET STALL)			
<b>SANITARY NAPKIN DISPOSAL</b>				
K1	TOILET PARTITION MOUNTED FEMININE NAPKIN DISPOSAL	BOBRICK B-270		
K2	RECESSED FEMININE NAPKIN DISPOSAL			
K3	SURFACE MOUNTED FEMININE NAPKIN DISPOSAL			
<b>GRAB BARS</b>				
L1	STAINLESS STEEL GRAB BAR 18"	BOBRICK B-6806X18		
L2	STAINLESS STEEL GRAB BAR 24"	BOBRICK B-6806X24		
L3	STAINLESS STEEL GRAB BAR 36"	BOBRICK B-6806X36		
L4	STAINLESS STEEL GRAB BAR 42"	BOBRICK B-6806X42		
L5	STAINLESS STEEL GRAB BAR - TWO-WALL 36"x18" AT SHOWER	BOBRICK B-6861		
<b>SHOWER ACCESSORIES</b>				
M1	FOLDING SHOWER SEAT	BOBRICK B-5181		
M2	FOLDING SHOWER BENCH			
M3	SHOWER CURTAIN ROD (LENGTH AS SHOWN ON DWGS)	BOBRICK B-207		
M4	STAINLESS STEEL SHOWER CURTAIN HOOK	BOBRICK B-204-1		
M5	VINYL SHOWER CURTAIN	BOBRICK B-204-2		
M6	SURFACE MOUNTED SOAP DISH: STAINLESS STEEL			
M7	RECESSED SOAP DISH: STAINLESS STEEL			
<b>TOWEL BARS AND HOOKS</b>				
N1	TOWEL BAR: SQUARE TUBE (LENGTH AS SHOWN ON DWGS)			
N2	TOWEL BAR: 1" DIA ROUND (LENGTH AS SHOWN ON DWGS)			
N3	TOWEL PIN			
N4	CLOTHES HOOK			
N5	HAT AND COAT HOOK WITH DOOR STOP			
N6	HOOK STRIP (3 HOOKS)			
N7	DOUBLE ROBE HOOK	BOBRICK B-8727		
<b>JANITORIAL AND SHELVES</b>				
P1	MOP & BROOM HOLDER	BOBRICK B-223X36		
P2	UTILITY SHELF	BOBRICK B-298X24		
P3	UTILITY SHELF WITH MOP/BROOM HOLDERS	BOBRICK B-224X36		
P4	CORNER SPLASH GUARD			
P5	TOILET/LOCKER ROOM SHELF	BOBRICK B-298X24		
<b>MISCELLANEOUS</b>				
Q1	SURFACE MOUNTED PAPER CLIP DISPENSER			
Q2	FOLDING UTILITY SHELF - TOILET COMPARTMENT			
Q3	STAINLESS STEEL SHELF			
Q4	SURFACE MOUNTED ASH RECEPTACLE			
Q5	BABY CHANGING STATION			
Q6	SURFACE MOUNTED TOILET SEAT COVER DISPENSER	BOBRICK B-221		
Q7	RECESSED MEDICINE CABINET			
<b>SEMI-CIRCULAR SINK</b>				
SC1	54" SEMI-CIRCULAR SINK			
SC2	36" SEMI-CIRCULAR SINK			



CONSULTANTS:

Issued For CONSTRUCTION  
05/03/2022  
www.ssoe.com



**BROWNFIELD MODIFICATIONS**



CLIENT PROJECT NO: XXX-XXXX-XX

NO. DATE SUBJECT  
REVISION OR ISSUE

PROJECT NO: 021-01975-00  
PROJECT MANAGER: R FOX  
DESIGNED: J HAINES  
CHECKED: S HUFF

DRAWING TITLE: TYPICAL MOUNTING HEIGHTS

DRAWING NO: AE-003